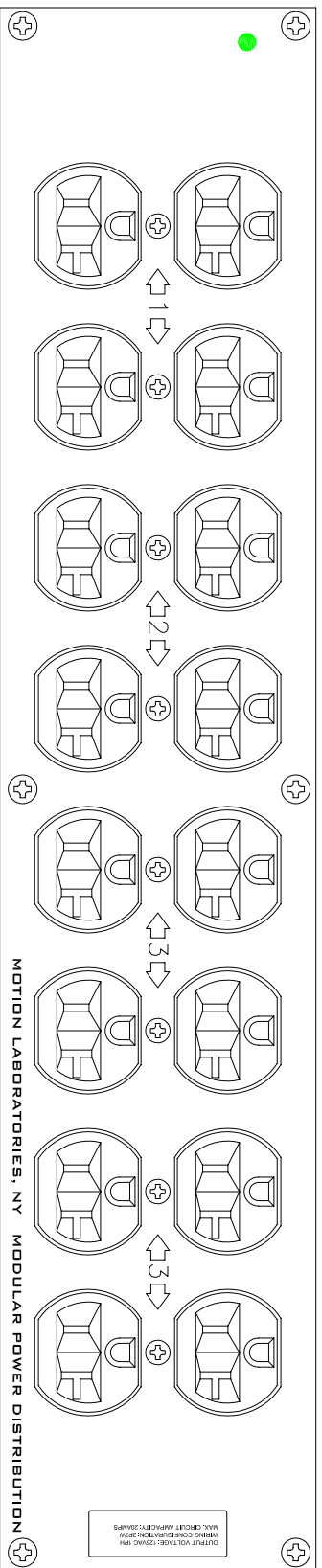


Front View



Rear View



**motion laboratories**  
 520 Fumacee Dock Road Cortlandt Manor, NY 10567  
 800-227-6784

Copyright © 2008 Motion Laboratories, Inc. All Rights Reserved. THIS DOCUMENT IS THE EXCLUSIVE CONFIDENTIAL PROPERTY OF MOTION LABORATORIES, INC. AND IT SHALL NOT BE REPRODUCED, COPIED, OR USED FOR ANY PURPOSE WHATSOEVER UNLESS, AND STRICTLY TO THE EXTENT, SUCH IS EXPRESSLY AUTHORIZED BY MOTION LABORATORIES, INC. IN WRITING.

TITLE		DRAWN BY		DATE DRAWN	SIZE	DRAWING NUMBER		REV
RP2, 2RU, 19" Rack Mount, Chassis		DH		14 FEB 07	A	1103-2-BB-050-0011		B
Depth 5.5", L5-30 I/O, 8 x 20A Duplex		CHECKED BY		DATE CHECKED				
		PH		2-16-07				
MODEL FILENAME & PATH		V:\Assembly Drawings\Rac Pass\2sp Rac Pass\Final Assembly\1100-2-CC-D8_RevB.dwg		SCALE	SHT	1	OF	1