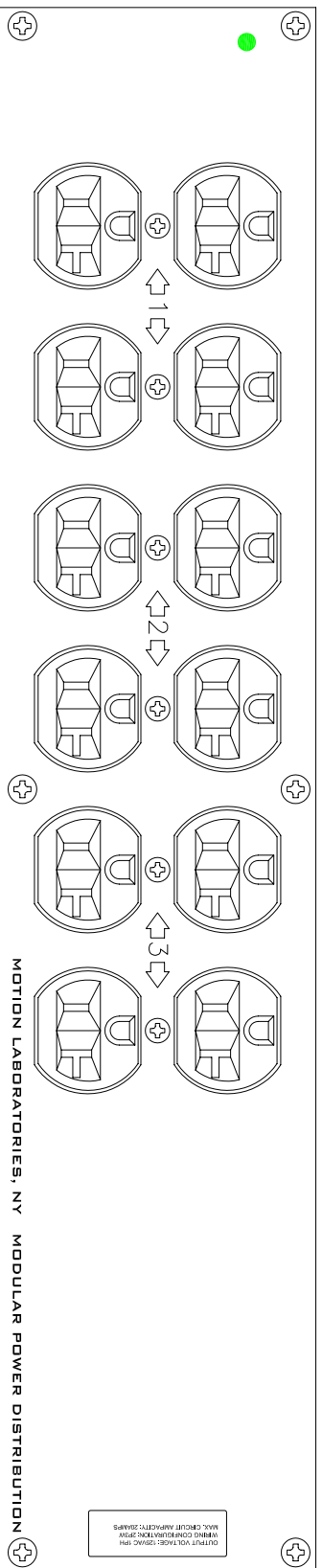


# Front View

# Rear View



**motion laboratories**  
520 Fumacee Dock Road Cortlandt Manor, NY 10567  
800-227-6784

Copyright © 2006 Motion Laboratories, Inc. All Rights Reserved. THIS DOCUMENT IS THE EXCLUSIVE CONFIDENTIAL PROPERTY OF MOTION LABORATORIES, INC. AND IT SHALL NOT BE REPRODUCED, COPIED, OR USED FOR ANY PURPOSE WHATSOEVER, UNLESS, AND STRICTLY TO THE EXTENT, SUCH IS EXPRESSLY AUTHORIZED BY MOTION LABORATORIES, INC. IN WRITING.

<b>TITLE</b>		<b>DRAWN BY</b>		<b>DATE DRAWN</b>		<b>SIZE</b>		<b>DRAWING NUMBER</b>		<b>REV</b>	
RP2, 2RU, 19" Rack Mount, Chassis Depth 5.5", L21-30 I/O, 6 x 20A Duplex		DH		14 FEB 07		A		1103-2-KK-050-2001		-	
<b>CHECKED BY</b>		<b>DATE CHECKED</b>		<b>MODEL FILENAME &amp; PATH</b>		<b>SCALE</b>		<b>SHT</b>		<b>OF</b>	
PH		2-16-07		V:\Assembly Drawings\Rac Pass\2sp Rac Pass\Final Assembly\1100-2-MM-D8_RevD.dwg		-		1		1	