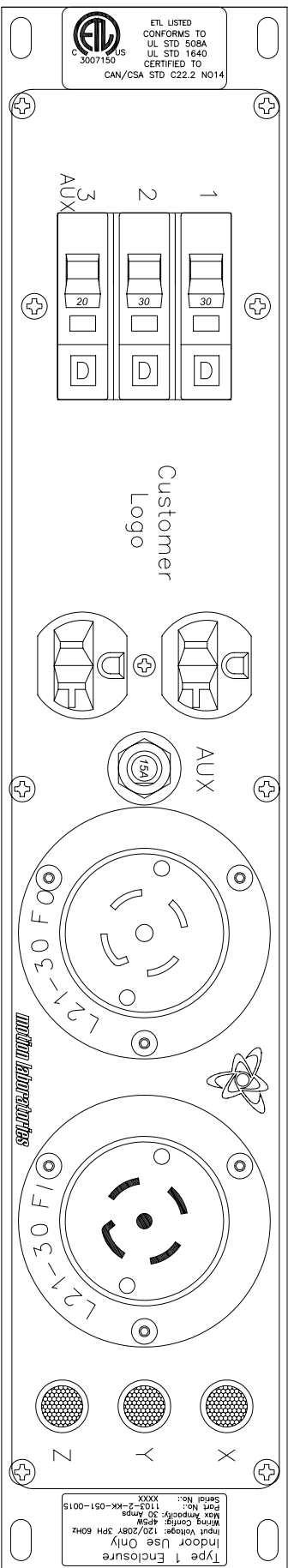
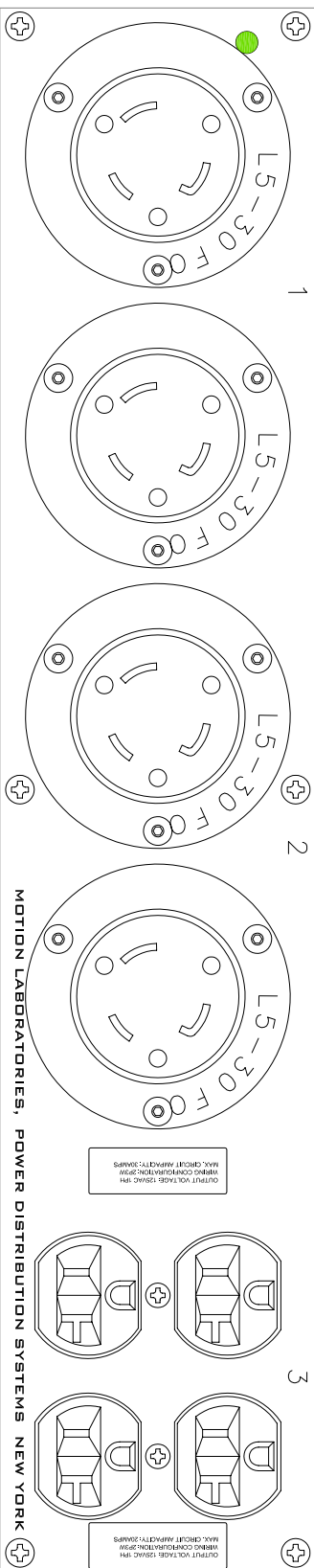


# Front View



# Rear View



**motionlaboratories**  
 520 Fumace Dock Road Cortlandt Manor, NY 10567  
 800-227-6784

Copyright © 2008 Motion Laboratories, Inc. All Rights Reserved. THIS DOCUMENT IS THE EXCLUSIVE CONFIDENTIAL PROPERTY OF MOTION LABORATORIES, INC. AND IT SHALL NOT BE REPRODUCED, COPIED, OR USED FOR ANY PURPOSE WHATSOEVER, UNLESS, AND STRICTLY TO THE EXTENT, SUCH IS EXPRESSLY AUTHORIZED BY MOTION LABORATORIES, INC. IN WRITING.

<b>TITLE</b>		<b>DRAWN BY</b>		<b>DATE DRAWN</b>	<b>SIZE</b>	<b>DRAWING NUMBER</b>		<b>REV</b>
RP2, 2RU, 19" Rack Mount, Chassis Depth 5.5", L21-30 I/O, 4x L5-30, 2 x 20A Duplex		DH		15 FEB 07	A	1103-2-KK-051-0015		-
<b>CHECKED BY</b>		<b>DATE CHECKED</b>		<b>MODEL FILENAME &amp; PATH</b>		<b>SCALE</b>		<b>SHT</b>
PH		2-16-07		V:\Assembly Drawings\Rac Pacs\2sp Rac Pacs\Final Assembly\1100-2-MM-C4D2.dwg		-		1 OF 1