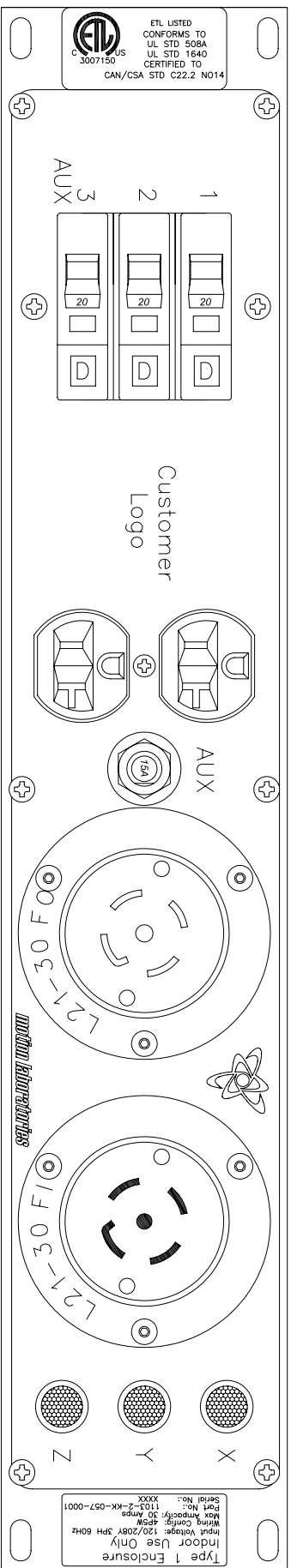
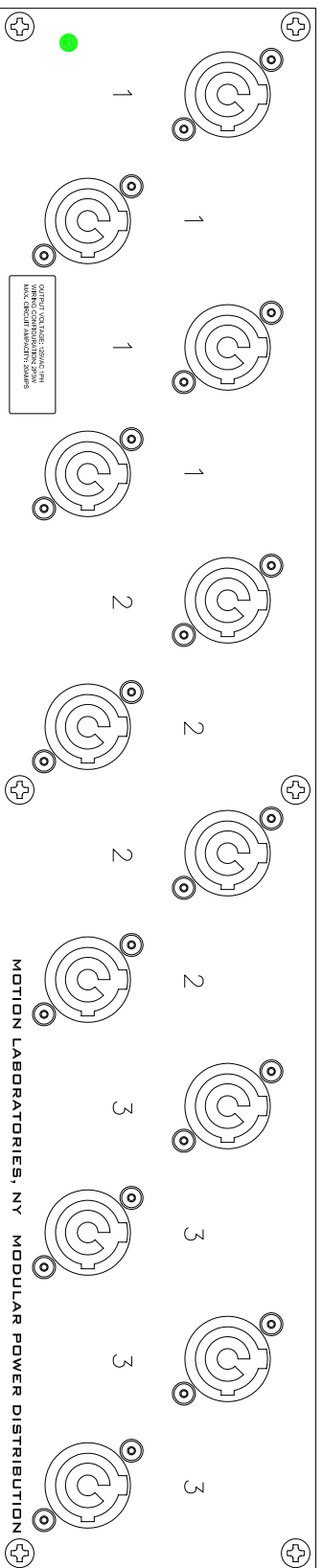


Front View



Rear View



motion laboratories
 520 Fumacee Dock Road Cortlandt Manor, NY 10567
 800-227-6784

Copyright © 2006 Motion Laboratories, Inc. All Rights Reserved. THIS DOCUMENT IS THE EXCLUSIVE CONFIDENTIAL PROPERTY OF MOTION LABORATORIES, INC. AND IT SHALL NOT BE REPRODUCED, COPIED, OR USED FOR ANY PURPOSE WHATSOEVER, UNLESS, AND STRICTLY TO THE EXTENT, SUCH IS EXPRESSLY AUTHORIZED BY MOTION LABORATORIES, INC. IN WRITING.

TITLE	DRAWN BY	DATE DRAWN	SIZE	DRAWING NUMBER	REV
RP2, 2RU, 19" Rack Mount, Chassis Depth 5.5", L21-30 I/O, 12 x 20A Power Con	DH	15 FEB 07	A	1103-2-KK-057-0001	B
	CHECKED BY	DATE CHECKED			
	PH	2-16-07			
	MODEL FILENAME & PATH				
	V:\Assembly Drawings\Rac Pacs\2sp Rac Pacs\Final Assembly\1100-2-MM-s12.RevB.dwg				
	SCALE	SHT			
	-	1		OF	1