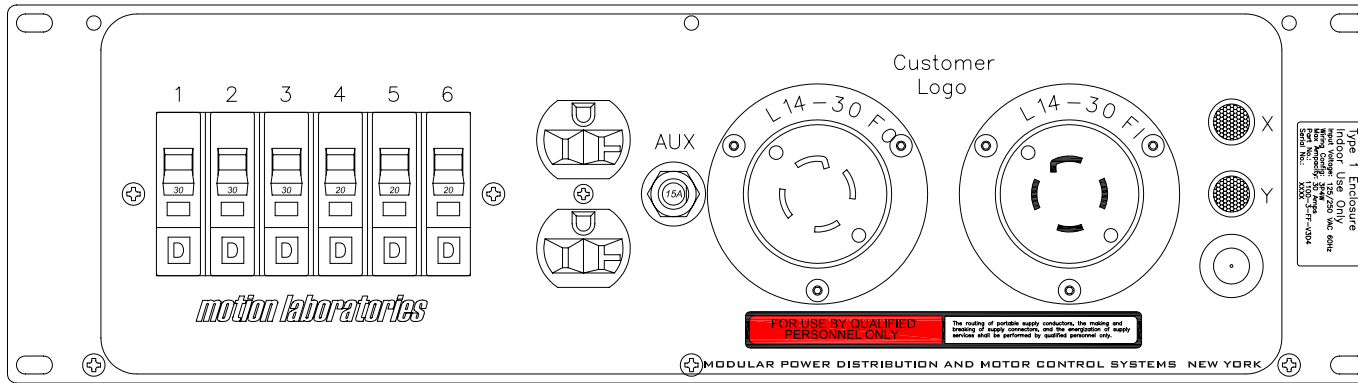
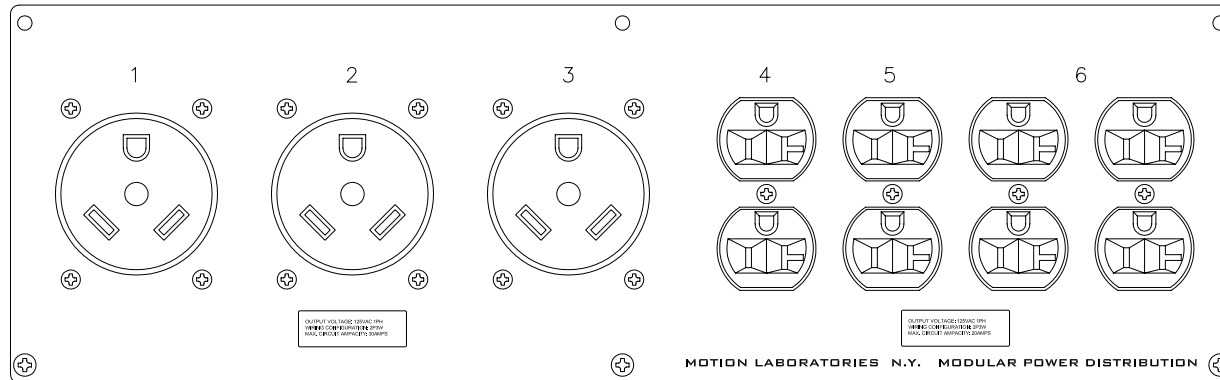


### Front View



### Rear View



**TITLE**  
*RP3, 3RU, 19" Rack Mount, Chassis  
 Depth 5.5", L14-30 I/O, 3 x 30A Range  
 Plug, 4 x 20A Duplex*

**DRAWN BY**  
 GMF

**DATE DRAWN**  
 16 FEB 07

**SIZE**

**DRAWING NUMBER**

**REV**

**CHECKED BY**  
 PH

**DATE CHECKED**  
 2-16-07

**A**

**1100-3-FF-V3D4**

**B**

**MODEL FILENAME & PATH**

V:\Assembly Drawings\Rac Pacs\3sp Rac Pacs\Final Assembly\1100-3-FF-V3D4.RevB.dwg

**SCALE**

**SHT**

1 OF 1

Copyright © 2006 Motion Laboratories, Inc. All Rights Reserved. THIS DOCUMENT IS THE EXCLUSIVE, CONFIDENTIAL PROPERTY OF MOTION LABORATORIES, INC. AND IT SHALL NOT BE REPRODUCED, COPIED, OR USED FOR ANY PURPOSE WHATSOEVER, UNLESS, AND STRICTLY TO THE EXTENT, SUCH IS EXPRESSLY AUTHORIZED BY MOTION LABORATORIES, INC. IN WRITING.