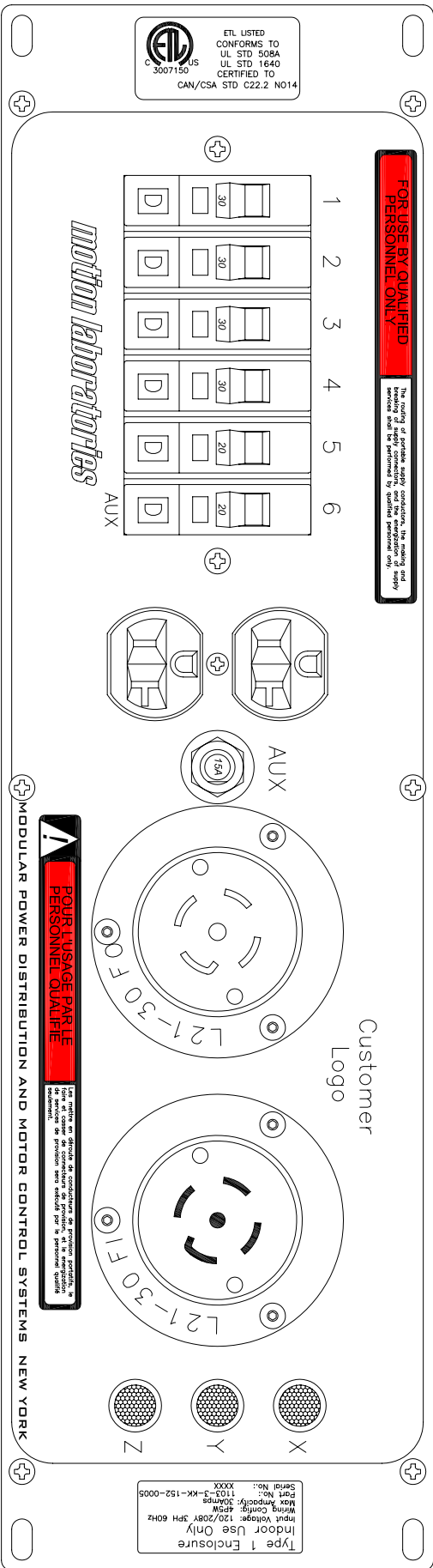
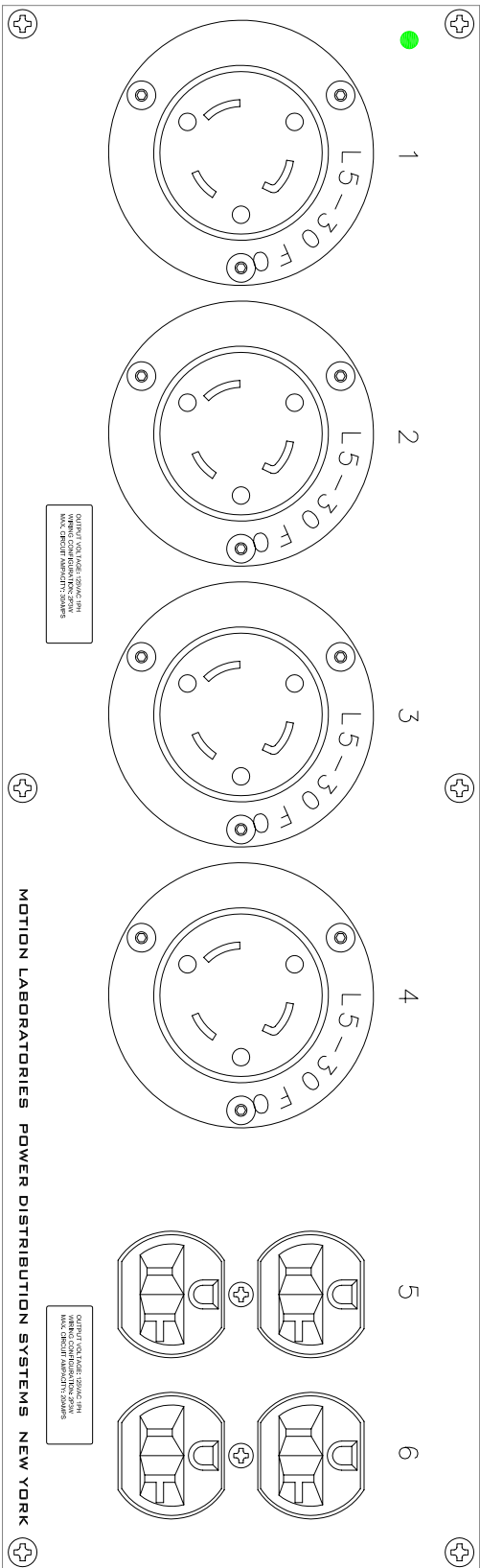


Front View



Rear View



520 Fumacee Dock Road Cortlandt Manor, NY 10567
800-227-6784

Compliant © 2006 Motion Laboratories, Inc. All Rights Reserved. THIS DOCUMENT IS THE EXCLUSIVE CONFIDENTIAL PROPERTY OF MOTION LABORATORIES, INC. AND IT SHALL NOT BE REPRODUCED, COPIED, OR USED FOR ANY PURPOSE WHATSOEVER, UNLESS, AND STRICTLY TO THE EXTENT, SUCH USE IS EXPRESSLY AUTHORIZED BY MOTION LABORATORIES, INC. IN WRITING.

TITLE	DRAWN BY	DATE DRAWN	SIZE	DRAWING NUMBER	REV
RP3, 3RU, 19" Rack Mount, Chassis Depth 5.5", L21-30 I/O, 4 x L5-30, 2 x 20A Duplex	GMF	15 FEB 07	A	1103-3-KK-152-0005	D
MODEL FILENAME & PATH	CHECKED BY	DATE CHECKED			
V:\Assembly Drawings\Rac Paco33sp Rac Paco3Final Assembly\1103-3-KK-152-0005.dwg	PH	2-16-07			
	SCALE	SHT			
	----	1		OF	1