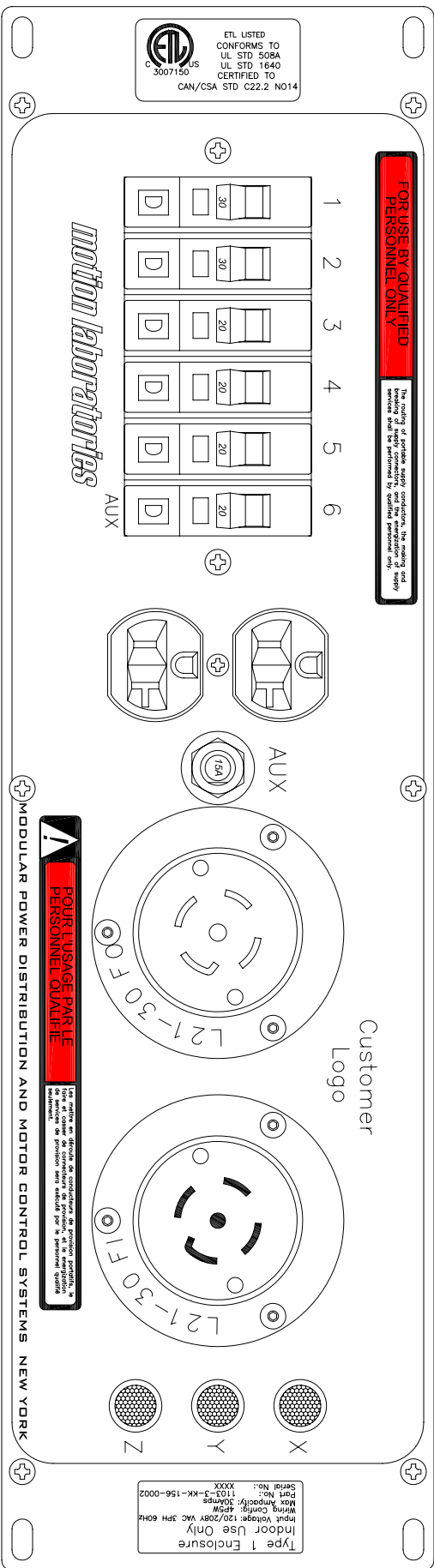
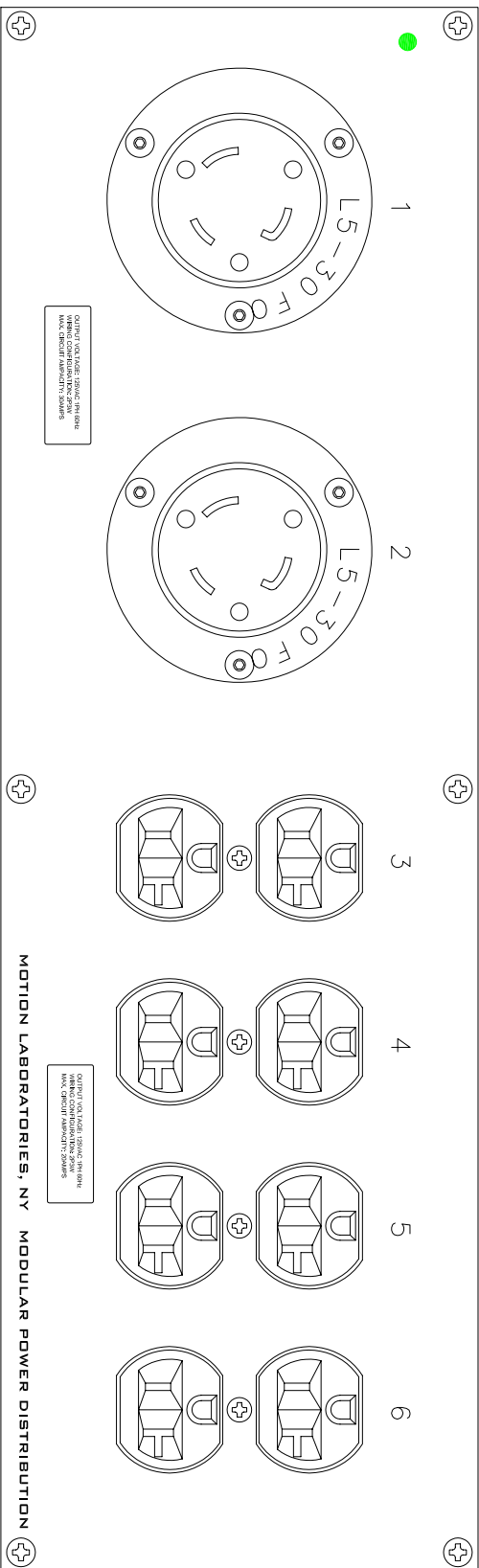


Front View



Rear View



<p>520 Fumace Dock Road Cortlandt Manor, NY 10567 800-227-6784</p> <p>Compliant © 2008 Motion Laboratories, Inc. All Rights Reserved. THIS DOCUMENT IS THE EXCLUSIVE CONFIDENTIAL PROPERTY OF MOTION LABORATORIES, INC. AND IT SHALL NOT BE REPRODUCED, COPIED, OR USED FOR ANY PURPOSE WHATSOEVER, UNLESS, AND STRICTLY TO THE EXTENT, SUCH IS EXPRESSLY AUTHORIZED BY MOTION LABORATORIES, INC. IN WRITING.</p>		<p>TITLE RP3, 3RU, 19" Rack Mount, Chassis Depth 5.5", L21-30 I/O, 2 x L5-30, 4 x 20A Duplex</p>		<p>DRAWN BY JC</p> <p>DATE DRAWN 5/26/09</p> <p>SIZE A</p> <p>DRAWING NUMBER 1103-3-KK-156-0002</p> <p>REV C</p>	
<p>CHECKED BY PH</p> <p>DATE CHECKED 5/28/09</p> <p>MODEL FILENAME & PATH V:\Assembly Drawings\Rac Paco3sp Rac Paco3Final Assembly\1103-3-KK-156-0002.dwg</p>		<p>SCALE ----</p> <p>SHT 1</p> <p>OF 1</p>			