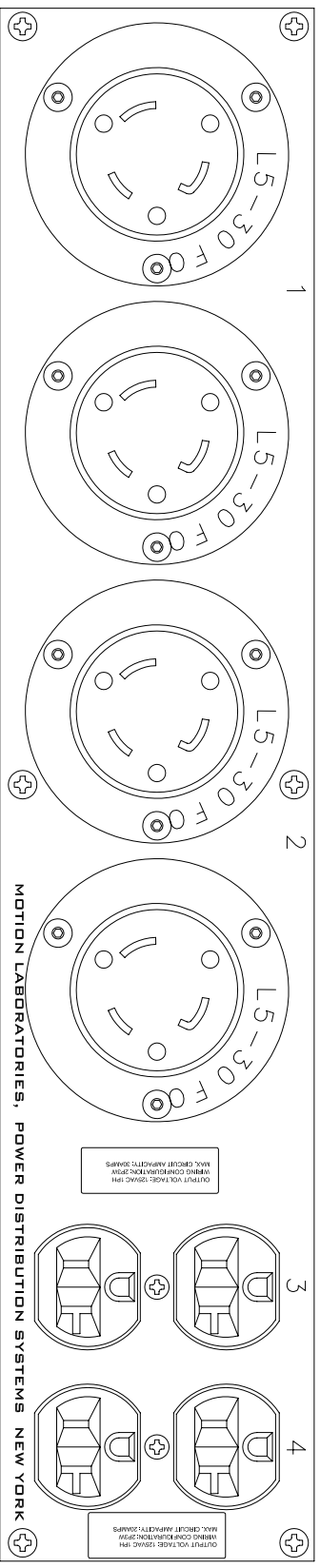


Front View



Rear View

<p>520 Fumacee Dock Road Cortlandt Manor, NY 10567 800-227-6784</p>		<p>TITLE</p> <p>Rp2, 2RU, 19" Rack Mount, Chassis Depth 5.5", L14-30 I/O, 4x L5-30, 2 x 20A Duplex</p>	
<p>DRAWN BY DH</p>	<p>DATE DRAWN 15 FEB 07</p>	<p>SIZE A</p>	<p>DRAWING NUMBER 1104-2-DD-051-0012</p>
<p>CHECKED BY PH</p>	<p>DATE CHECKED 2-16-07</p>	<p>MODEL FILENAME & PATH V:\Assembly Drawings\Rac Pacs\2sp Rac Pacs\Fnal Assembly\1100-2-FF-CAD2.REV B.dwg</p>	
<p>SCALE -</p>		<p>SHT 1</p>	<p>OF 1</p>
<p>REV</p>			<p>B</p>

Copyright © 2006, Motion Laboratories, Inc. All Rights Reserved. THIS DOCUMENT IS THE EXCLUSIVE CONFIDENTIAL PROPERTY OF MOTION LABORATORIES, INC. AND IT SHALL NOT BE REPRODUCED, COPIED, OR USED FOR ANY PURPOSE WHATSOEVER, UNLESS, AND STRICTLY TO THE EXTENT, SUCH IS EXPRESSLY AUTHORIZED BY MOTION LABORATORIES, INC. IN WRITING.