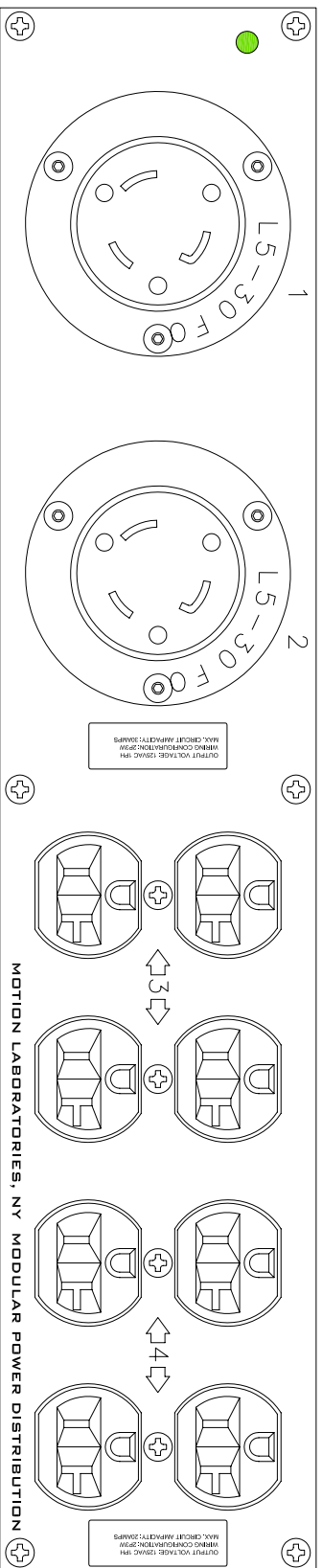


Front View



Rear View

<p>motion laboratories 520 Fumacee Dock Road Cortlandt Manor, NY 10567 800-227-6784</p> <p><small>Copyright © 2008 Motion Laboratories, Inc. All Rights Reserved. THIS DOCUMENT IS THE EXCLUSIVE CONFIDENTIAL PROPERTY OF MOTION LABORATORIES, INC. AND IT SHALL NOT BE REPRODUCED, COPIED, OR USED FOR ANY PURPOSE WHATSOEVER UNLESS, AND STRICTLY TO THE EXTENT, SUCH IS EXPRESSLY AUTHORIZED BY MOTION LABORATORIES, INC. IN WRITING.</small></p>		<p>TITLE RP2, 2RU, 19" Rack Mount, Chassis Depth 5.5", L14-30 I/O, 2 x L5-30, 4 x 20A Duplex</p>		<p>DRAWN BY DH</p> <p>DATE DRAWN 15 FEB 07</p> <p>CHECKED BY PH</p> <p>DATE CHECKED 2-16-07</p>		<p>SIZE A</p> <p>DRAWING NUMBER 1104-2-DD-053-0003</p>		<p>MODEL FILENAME & PATH V:\Assembly Drawings\Race Pacs\2sp Race Pacs\Final Assembly\1103-2-DD-053-0003.dwg</p>		<p>SCALE -</p> <p>SHT 1</p> <p>OF 1</p>		<p>REV B</p>	
---	--	---	--	---	--	--	--	--	--	--	--	-------------------------	--