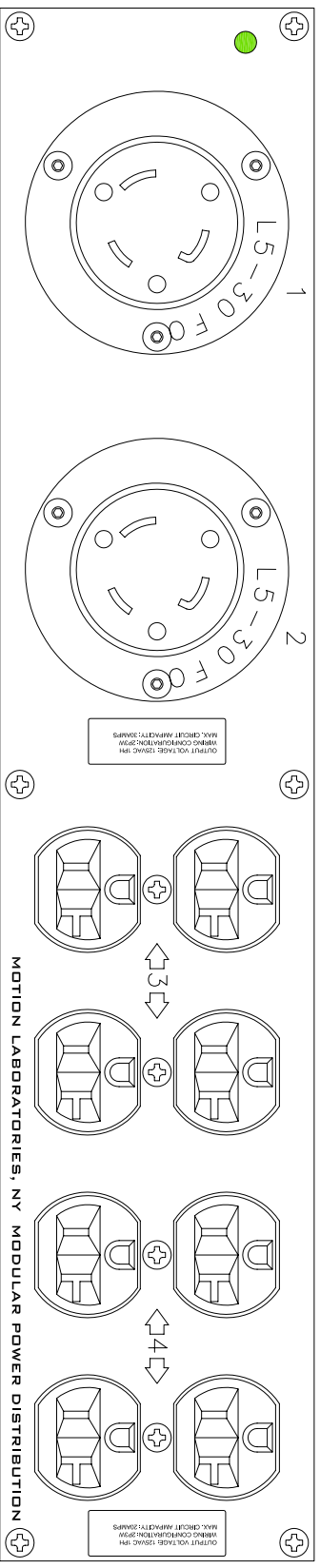


Front View

Rear View



Copyright © 2006 Motion Laboratories, Inc. All Rights Reserved. THIS DOCUMENT IS THE EXCLUSIVE CONFIDENTIAL PROPERTY OF MOTION LABORATORIES, INC. AND IT SHALL NOT BE REPRODUCED, COPIED, OR USED FOR ANY PURPOSE WHATSOEVER, UNLESS, AND STRICTLY TO THE EXTENT, SUCH IS EXPRESSLY AUTHORIZED BY MOTION LABORATORIES, INC. IN WRITING.

TITLE		DRAWN BY		DATE DRAWN	SIZE	DRAWING NUMBER		REV
RP2, 2RU, 19" Rack Mount, Chassis Depth 5.5", L21-30 I/O, 2 x L5-30, 4 x 20A Duplex		DH		15 FEB 07	A	1104-2-KK-053-0003		B
CHECKED BY		DATE CHECKED						
PH		2-16-07						
MODEL FILENAME & PATH								
V:\Assembly Drawings\Rac Pacs\2sp Rac Pacs\Final Assembly\1103-2-KK-053-0003.dwg		SCALE		SHT	OF			
		-		1	1			