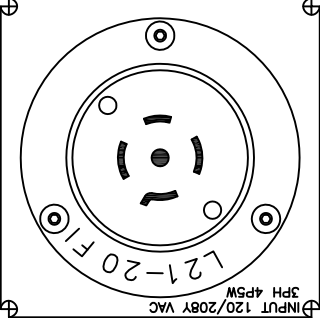
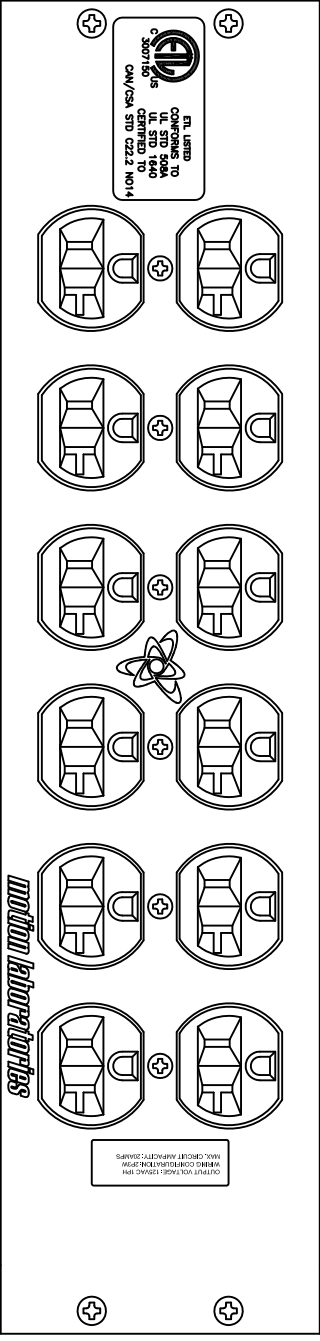


REV	DESCRIPTION	Date	APPROVED
A	Original Release	02/11/2010	AEO

Input View



Top View



Motion Laboratories
 520 FURNACE DOCK ROAD
 CORTLANDT MANOR, NY 10567 (914) 788-8877

TITLE:
Non-Breakered Stringer Box Assembly Drawing

SIZE	Checked By:	DWG NO.	REV
A	PH	1150-01-702-401-0002	A
Drawn By:	JC	Sheet	1 of 3