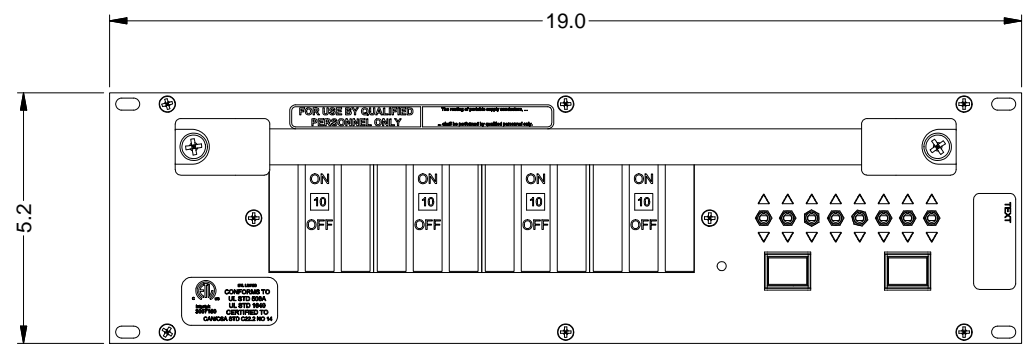
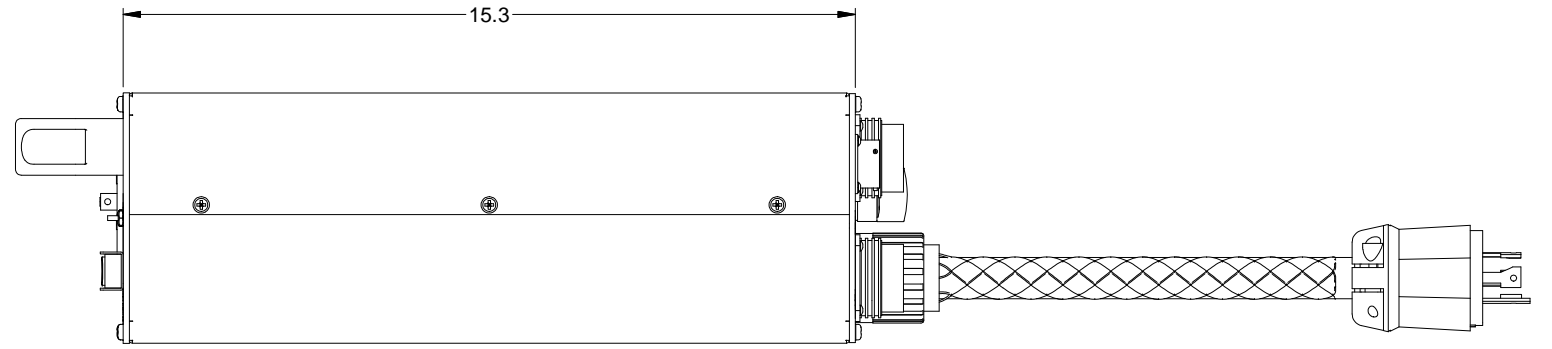
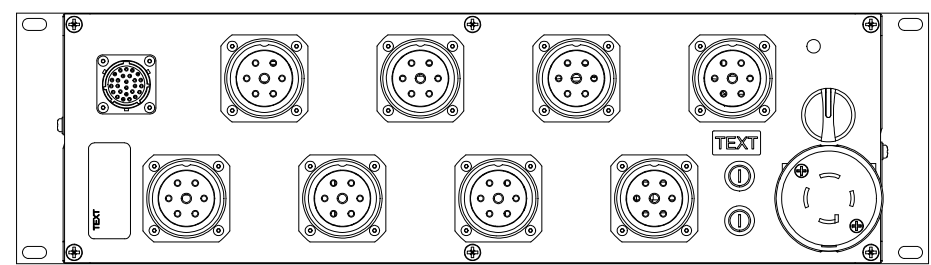


REVISION HISTORY			
REV	DESCRIPTION	DATE	CHECKED
A	RELEASED TO PRODUCTION. DC 2/1/16		



VIEW1  
SCALE 1/2



 <small>520 Furnace Dock Road Cortlandt Manor, NY 10567</small>	<b>TITLE</b> Motor Control, Rac Mount, 8CH, 208V3PH, L15-30 TAIL, C7, PO/C7-34, 3SP, W/ Front Panel Control, L/R Feature	<small>DRAWN BY</small> DC	<small>DATE DRAWN</small> 1/20/2009	<small>SIZE</small> D	<small>SALES DRAWING NUMBER</small> 1260-8-C-F-1313-22	<small>REV</small> B
		<small>CHECKED BY</small> DATE CHECKED	<small>MODEL FILENAME &amp; PATH</small> N:\Blocks\Assemblies\1260-8-C-F-1313-22.dwg	<small>SCALE</small> NTS	<small>SHEET</small> 1 OF 1	