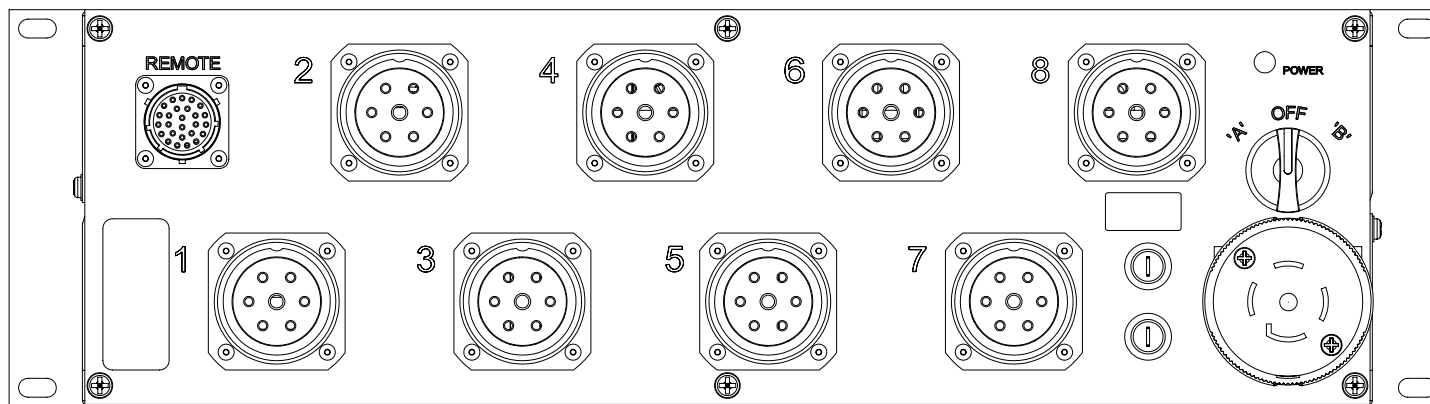
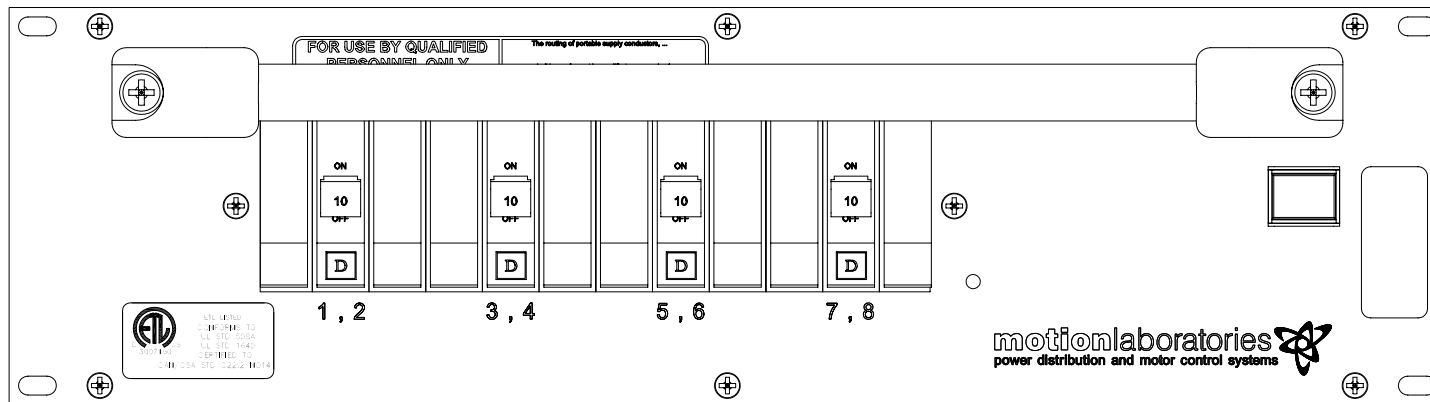


### Front View



### Rear View



**TITLE**  
 Motor Control, Rac Mount, 8CH,  
 208V3PH, L21-30 TAIL,  
 C7, PO/C7-30, 3SP

**DRAWN BY**  
 GMF

**DATE DRAWN**  
 23 FEB 07

**SIZE**

**DRAWING NUMBER**

**REV**

**CHECKED BY**

**DATE CHECKED**

**A**

**1260-8-C-K-1313-01**

**A**

**MODEL FILENAME & PATH**

V:\Assembly Drawings\Motor Controllers\08 Channel\1260-8-C-K-1313-01.dwg

**SCALE**  
 --

**SHT**

**1 OF 1**

Copyright © 2006 Motion Laboratories, Inc. All Rights Reserved. THIS DOCUMENT IS THE EXCLUSIVE, CONFIDENTIAL PROPERTY OF MOTION LABORATORIES, INC. AND IT SHALL NOT BE REPRODUCED, COPIED, OR USED FOR ANY PURPOSE WHATSOEVER, UNLESS, AND STRICTLY TO THE EXTENT, SUCH IS EXPRESSLY AUTHORIZED BY MOTION LABORATORIES, INC. IN WRITING.