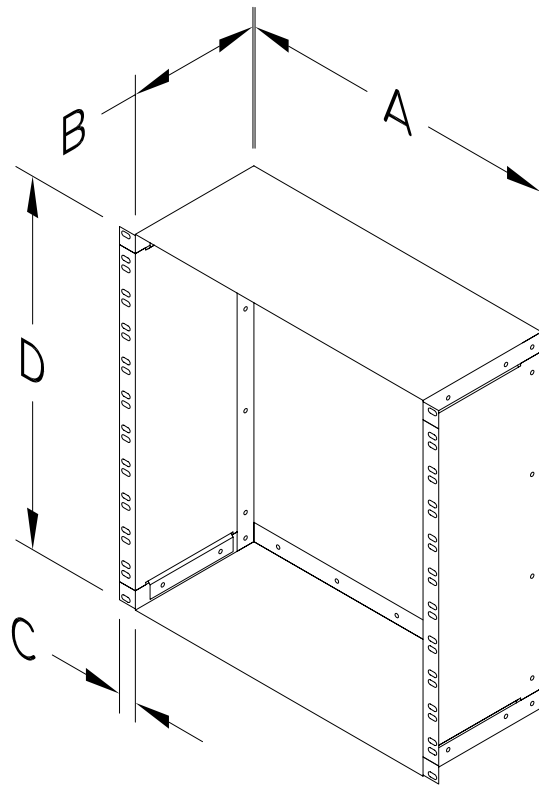


MATERIAL:	3003 ALUMINUM 6063402	REV:		DATE:		APPROVED:	
FINISH:	BRUSHED AND BLACK ANODIZED (2700)	DESCRIPTION:					
SECONDARY OPER:	None						

LINER DIMENSIONS FOR 1 LID SERIES

DIMENSIONS (in.)				
No. OF SPACES	A	B	C	D
5	17 1/8	7 1/16	15/16	8 7/8
6	17 1/8	7 1/16	15/16	10 5/8
7	17 1/8	7 1/16	15/16	12 3/8
8	17 1/8	7 1/16	15/16	14 1/8
9	17 1/8	7 1/16	15/16	15 7/8
10	17 1/8	7 1/16	15/16	17 5/8
11	17 1/8	7 1/16	15/16	19 3/8
12	17 1/8	7 1/16	15/16	21 1/8
13	17 1/8	7 1/16	15/16	22 7/8
14	17 1/8	7 1/16	15/16	24 5/8
15	17 1/8	7 1/16	15/16	26 3/8
16	17 1/8	7 1/16	15/16	28 1/8
17	17 1/8	7 1/16	15/16	29 7/8
18	17 1/8	7 1/16	15/16	31 5/8
19	17 1/8	7 1/16	15/16	33 3/8
20	17 1/8	7 1/16	15/16	35 1/8
21	17 1/8	7 1/16	15/16	36 7/8
22	17 1/8	7 1/16	15/16	38 5/8
23	17 1/8	7 1/16	15/16	40 3/8
24	17 1/8	7 1/16	15/16	42 1/8
25	17 1/8	7 1/16	15/16	43 7/8
26	17 1/8	7 1/16	15/16	45 5/8
27	17 1/8	7 1/16	15/16	47 3/8
28	17 1/8	7 1/16	15/16	49 1/8
29	17 1/8	7 1/16	15/16	50 7/8
30	17 1/8	7 1/16	15/16	52 5/8

MATERIAL: 16 GA. CRS  
FINISH: ZINC + YELLOW



TOLERANCES UNLESS OTHERWISE SPECIFIED:		<i>motion laboratories</i>		520 PURNICE DOCK ROAD CORTLANDT MANOR, NY 10567 (914) 766-8277	
X.XX	±.01	TITLE: 1 LID SERIES LINER DIMENSIONS			
X.XXX	±.005	DATE: 11/15/17			
ANGLES	±1deg	DRAWN BY: MP			
Checked By:		DATE: 11/15/17	DESIGNED BY:	REV: -	
		Scale: NA	Sheet: 1 of 1		