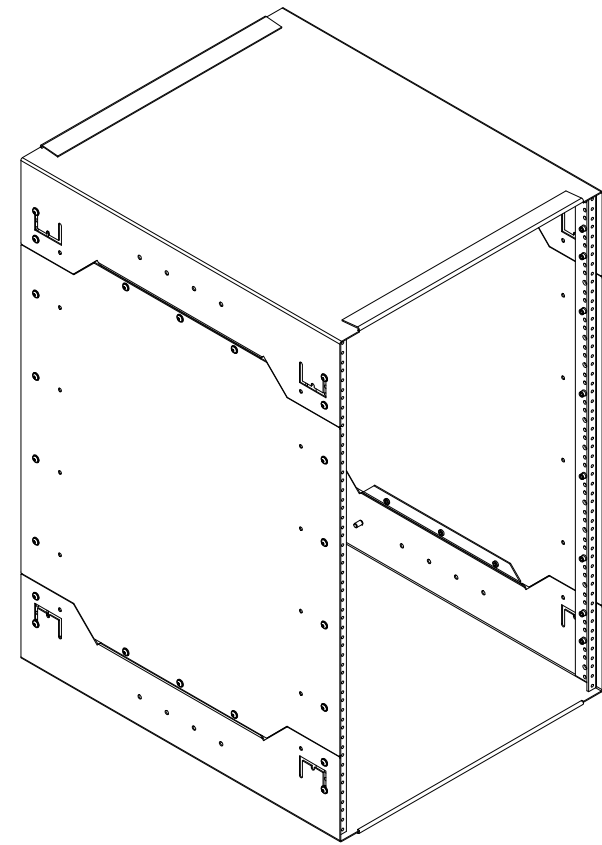
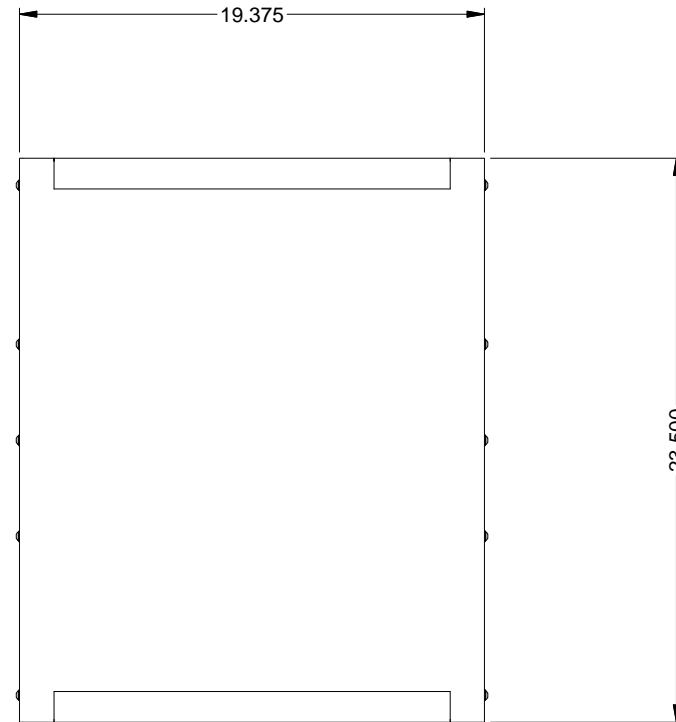


REV	DESCRIPTION	DATE	CHECKED
A			
B	UPDATED VIEWS FOR CLARITY. SM 3/12/14	3/26/2014	DH



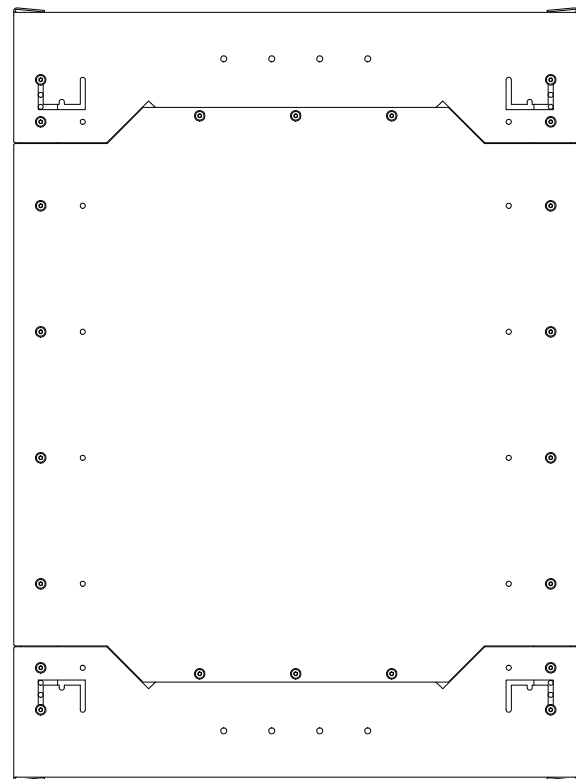
ISOMETRIC
SCALE 1 / 5



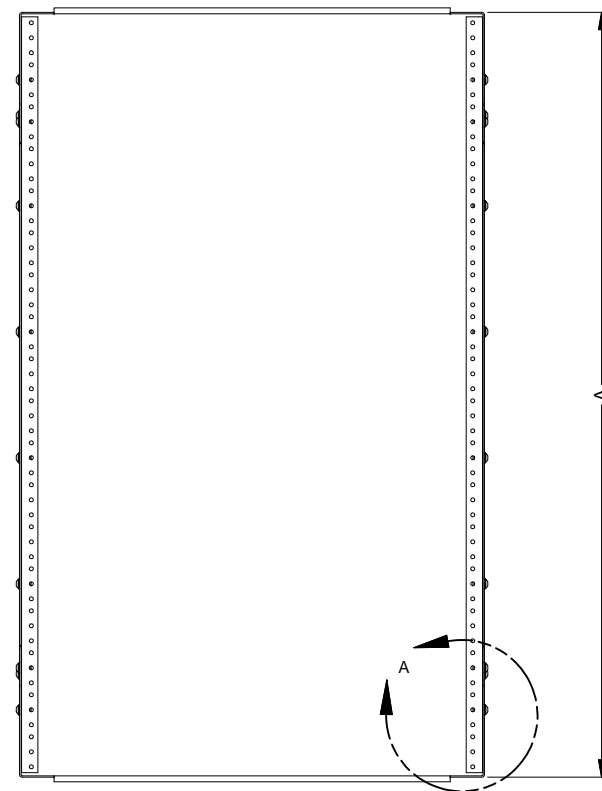
TOP
SCALE 1 / 4

DIMENSIONS	
NO. OF RACK UNITS	A (IN.)
6	10 7/8
7	12 5/8
8	14 3/8
9	16 1/8
10	17 7/8
11	19 5/8
12	21 3/8
13	23 1/8
14	24 7/8
15	26 5/8
16	28 3/8
17	30 1/8
18	31 7/8
19	33 5/8
20	35 3/8
21	37 1/8
22	38 7/8
23	40 5/8
24	42 3/8
25	44 1/8
26	45 7/8
27	47 5/8
28	49 3/8
29	51 1/8
30	52 7/8

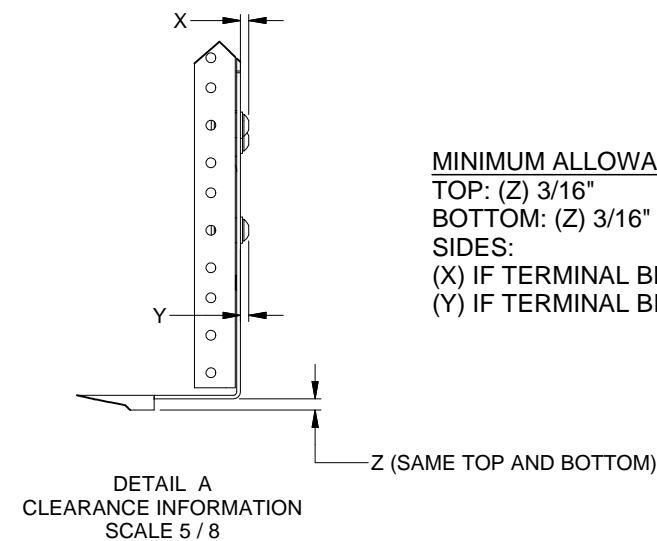
MATERIAL: 16 GA. CRS
FINISH: ZINC + YELLOW
TOLERANCE: (+/-) 1/16



LEFT
SCALE 1 / 4



FRONT
SCALE 1 / 4



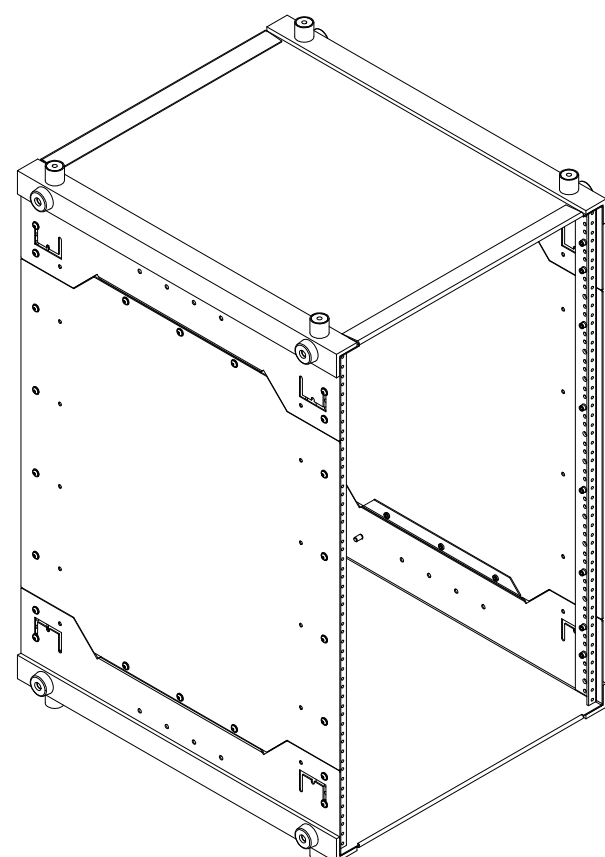
DETAIL A
CLEARANCE INFORMATION
SCALE 5 / 8

MINIMUM ALLOWABLE CLEARANCES

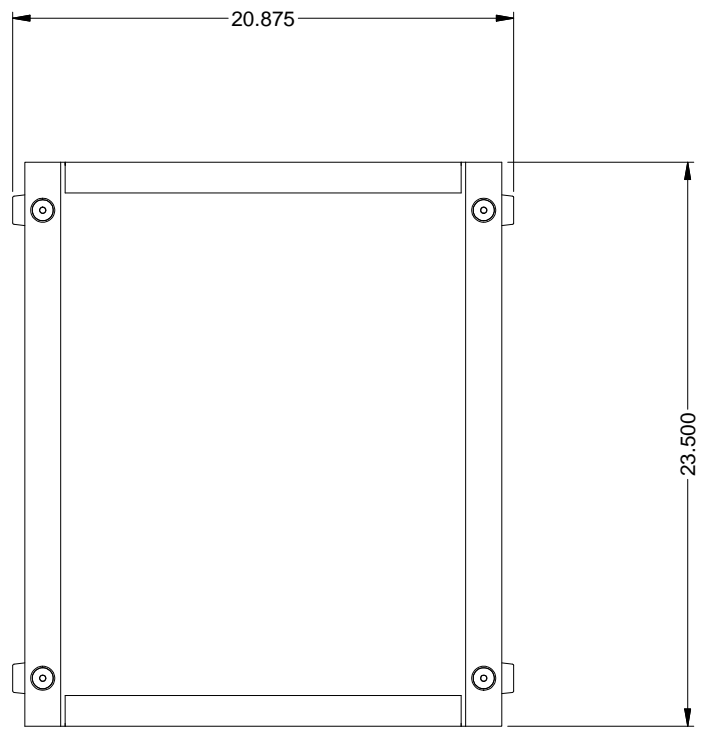
TOP: (Z) 3/16"
BOTTOM: (Z) 3/16"
SIDES:
(X) IF TERMINAL BRACKET IS **NOT** INSTALLED - 1/8"
(Y) IF TERMINAL BRACKET IS INSTALLED - 1/4"

 520 Furnace Dock Road Cortland Manor, NY 10567	TITLE 2Lid Case Steel Liner, STD, 31"D	DRAWN BY SM	DATE DRAWN 1/15/2014	SIZE D	SALES DRAWING NUMBER B-12-003-LINER ASSEMBLY DEEP SALES DRAWING	REV B
		CHECKED BY DH	DATE CHECKED	SCALE 1 / 4	SHEET 1 OF 1	

REVISION HISTORY			
REV	DESCRIPTION	DATE	CHECKED
A	ORIGINAL RELEASE. SM 7/16/14	7/16/2014	DH



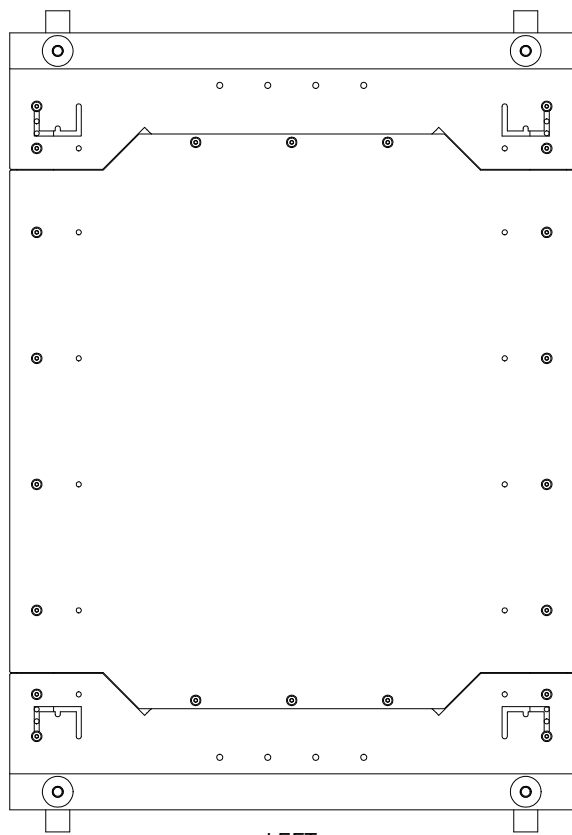
ISOMETRIC
SCALE 1 / 5



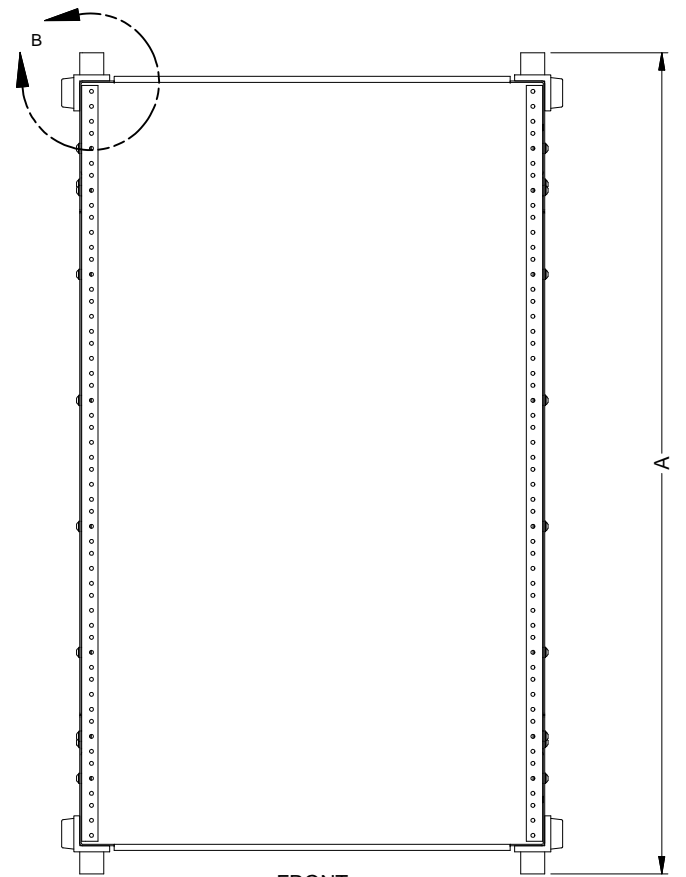
TOP
SCALE 1 / 4

DIMENSIONS	
NO. OF RACK UNITS	A (IN.)
6	13 7/32
7	14 31/32
8	16 23/32
9	18 15/32
10	20 7/32
11	21 31/32
12	23 23/32
13	25 15/32
14	27 7/32
15	28 31/32
16	30 23/32
17	32 15/32
18	34 7/32
19	35 31/32
20	37 23/32
21	39 15/32
22	41 7/32
23	42 31/32
24	44 23/32
25	46 15/32
26	48 7/32
27	49 31/32
28	51 23/32
29	53 15/32
30	55 7/32

MATERIAL: 16 GA. CRS
FINISH: ZINC + YELLOW
TOLERANCE: (+/-) 1/16



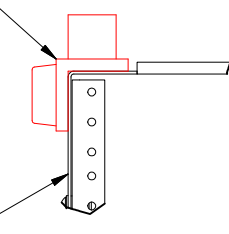
LEFT
SCALE 1 / 4



FRONT
SCALE 1 / 4

BRACE ASSEMBLY
WITH VIBRATION MOUNTS

STEEL LINER ASSEMBLY



DETAIL B
SCALE 1 / 2