

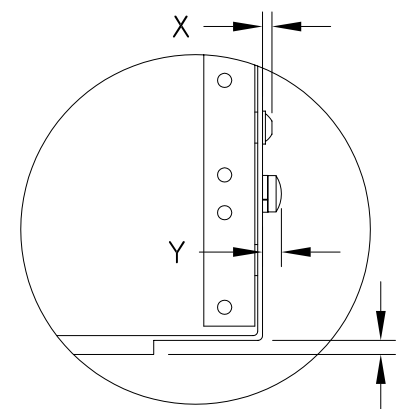
LINER DIMENSIONS FOR SHALLOW SERIES
REFERENCE ONLY

DIMENSIONS (IN.)				
No. OF SPACES	A	B	C	D
6	19 3/8	16	5 7/16	-
7	19 3/8	16	5 7/16	1.686
8	19 3/8	16	5 7/16	3.436
9	19 3/8	16	5 7/16	5.186
10	19 3/8	16	5 7/16	6.936
11	19 3/8	16	5 7/16	8.686
12	19 3/8	16	5 7/16	10.436
13	19 3/8	16	5 7/16	12.186
14	19 3/8	16	5 7/16	13.936
15	19 3/8	16	5 7/16	15.686
16	19 3/8	16	5 7/16	17.436
17	19 3/8	16	5 7/16	19.186
18	19 3/8	16	5 7/16	20.936
19	19 3/8	16	5 7/16	22.686
20	19 3/8	16	5 7/16	24.436
21	19 3/8	16	5 7/16	26.186
22	19 3/8	16	5 7/16	27.936
23	19 3/8	16	5 7/16	29.686
24	19 3/8	16	5 7/16	31.436
25	19 3/8	16	5 7/16	33.186
26	19 3/8	16	5 7/16	34.936
27	19 3/8	16	5 7/16	36.686
28	19 3/8	16	5 7/16	38.436
29	19 3/8	16	5 7/16	40.186
30	19 3/8	16	5 7/16	41.936

MATERIAL: 16 GA. CRS
FINISH: ZINC + YELLOW

MINIMUM ALLOWABLE CLEARANCES

TOP : (Z) 3/16"
 BOTTOM : (Z) 3/16"
 SIDES :
 (X) IF TERMINAL BRACKET IS NOT INSTALLED - 1/8"
 (Y) IF TERMINAL BRACKET IS INSTALLED - 1/4"



CLEARANCE DETAIL

Z (SAME TOP AND BOTTOM)