

# P3- 3 & 5 T30 Series Connectors

## For Entertainment & Industrial

### Introduction

P3-5 series T30 connectors have been developed to offer the highest levels of safety and reliability. The super robust construction ensures continual and reliable operation. The rugged fully machined aluminium design has been tailored specifically for professional touring applications and this has ensured that the P3-5 series is more than up to the challenge of life on the road.

The connectors are sealed to IP67 when mated, have a black anodised non-conductive finish for scratch and wear resistance and feature a heavy duty ribbed coupling ring to provide easy mating and un-mating.

The male / female connectors come in both inline and panel mount plug / receptacle versions with either solder or crimp contacts available. The inline versions are complete with a fully machined backshell and a compression grip cable seal or break out strain relief system. Contacts are gold plated over copper alloy and accommodate wire sizes from 12 to 14 AWG (1.5-2.5mm<sup>2</sup>).

### Product Features

- High Impact all machined T30 shells
- Wear resistant anodised finish
- Easy grip heavy duty coupling ring (black or blue)
- Thick wall section backshells
- M32, Spiral cable glands or extended backshell
- IP67 when mated
- Multipoint gold plated contacts (solder or crimp)
- ROHS compliant



Please contact Motion Labs in North America for Phase 3 Products

800-227-6784 / 914-788-8877 / [motionlabs.com](http://motionlabs.com)

## Technical Parameters

- Voltage Rating: 700VDC / 500VAC
- Current Rating: 25A Rated
- Temperature Rating: -20°C to +100°C
- Contact Plating: Gold

## Parts List

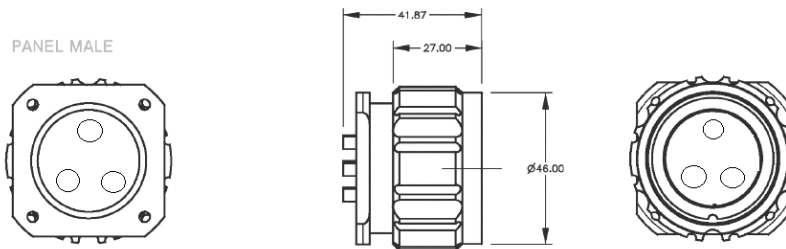
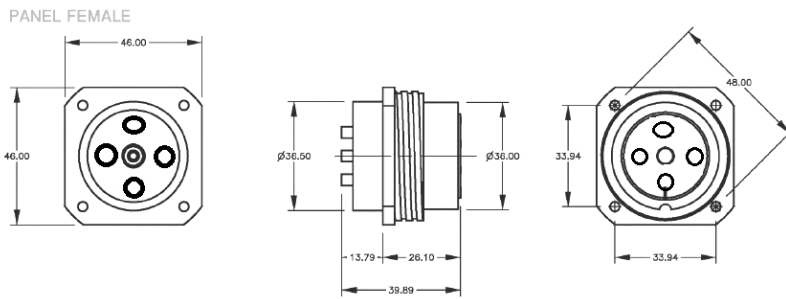
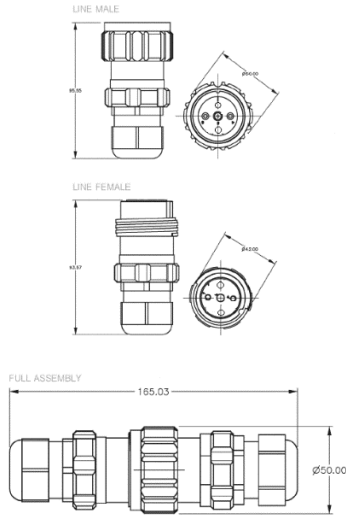
Part Number	Contacts	Gender	Shell	Cable Range
P3-LM-S-M32	Solder	Male	Inline cable	11-21mm
P3-LM-C-M32	Crimp	Male	Inline cable	11-21mm
P3-LF-S-M32	Solder	Female	Inline cable	11-21mm
P3-LF-C-M32	Crimp	Female	Inline cable	11-21mm
P3-PM-S	Solder	Male	Chassis Male	N/A
P3-PM-C	Crimp	Male	Chassis Male	N/A
P3-PF-S	Solder	Female	Chassis Female	N/A
P3-PF-C	Crimp	Female	Chassis Female	N/A
P3-LM-S-EXT	Solder	Male	Extended Backshell	11-21mm
P3-LM-C-EXT	Crimp	Male	Extended Backshell	11-21mm
P3-LF-S-EXT	Solder	Female	Extended Backshell	11-21mm
P3-LF-C-EXT	Crimp	Female	Extended Backshell	11-21mm
P5-LM-S-M32	Solder	Male	Inline cable	11-21mm
P5-LM-C-M32	Crimp	Male	Inline cable	11-21mm
P5-LF-S-M32	Solder	Female	Inline cable	11-21mm
P5-LF-C-M32	Crimp	Female	Inline cable	11-21mm
P5-PM-S	Solder	Male	Chassis Male	N/A
P5-PM-C	Crimp	Male	Chassis Male	N/A
P5-PF-S	Solder	Female	Chassis Female	N/A
P5-PF-C	Crimp	Female	Chassis Female	N/A
P5-LM-S-EXT	Solder	Male	Extended Backshell	11-21mm
P5-LM-C-EXT	Crimp	Male	Extended Backshell	11-21mm
P5-LF-S-EXT	Solder	Female	Extended Backshell	11-21mm
P5-LF-C-EXT	Crimp	Female	Extended Backshell	11-21mm

**n.b All male connectors above come with BLUE coupling rings, for BLACK coupling rings, please add suffix -BK**

Please contact Motion Labs in North America for Phase 3 Products

800-227-6784 / 914-788-8877 / [motionlabs.com](http://motionlabs.com)

# Drawings



**P3- 7 Series  
Connectors**

**For Entertainment Industry**

Please contact Motion Labs in North America for Phase 3 Products

800-227-6784 / 914-788-8877 / [motionlabs.com](http://motionlabs.com)

# P3-7 Series Connectors

## Introduction

P3-19 series connectors have been developed to offer the highest levels of safety and reliability. The super robust construction ensures continual and reliable operation. The rugged fully machined aluminium design has been tailored specifically for professional touring applications and this has ensured that the P3-7 series is more than up to the challenge of life on the road.

## Product Features

- Socapex SL37Y Compatible
- High Impact all machined shells
- Wear resistant anodised finish
- Easy grip heavy duty coupling ring (black or blue)
- Thick wall section backshells
- M32, Spiral cable glands or extended backshell
- IP67 when mated
- Multipoint gold plated contacts (solder or crimp)
- ROHS Compliant
- UL Approved

## Technical Parameters

- Voltage Rating: 700VDC / 500VAC
- Current Rating: 25A Rated
- Temperature Rating: -20°C to +100°C
- Contact Plating: Gold



Please contact Motion Labs in North America for Phase 3 Products

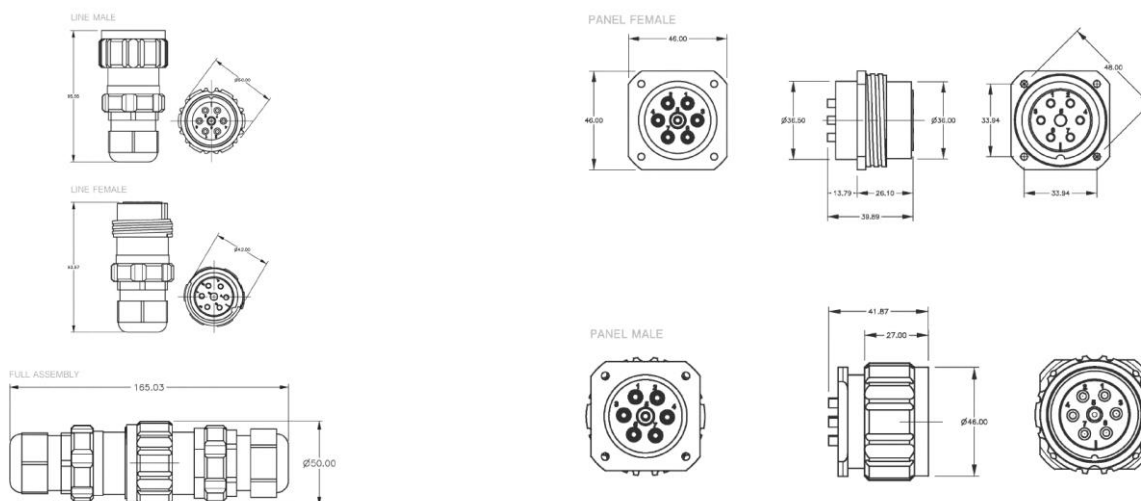
800-227-6784 / 914-788-8877 / [motionlabs.com](http://motionlabs.com)

# Parts List

Part Number	Contacts	Gender	Shell	Cable Range
P7-LM-S-M32	Solder	Male	Inline cable	11-21mm
P7-LM-C-M32	Crimp	Male	Inline cable	11-21mm
P7-LF-S-M32	Solder	Female	Inline cable	11-21mm
P7-LF-C-M32	Crimp	Female	Inline cable	11-21mm
P7-PM-S	Solder	Male	Chassis Male	N/A
P7-PM-C	Crimp	Male	Chassis Male	N/A
P7-PF-S	Solder	Female	Chassis Female	N/A
P7-PF-C	Crimp	Female	Chassis Female	N/A
P7-LM-S-EXT	Solder	Male	Extended Backshell	11-21mm
P7-LM-C-EXT	Crimp	Male	Extended Backshell	11-21mm
P7-LF-S-EXT	Solder	Female	Extended Backshell	11-21mm
P7-LF-C-EXT	Crimp	Female	Extended Backshell	11-21mm
P7-LM-S-M32-BK	Solder	Male	Inline cable	11-21mm
P7-LM-C-M32-BK	Crimp	Male	Inline cable	11-21mm
P7-PM-S-BK	Solder	Male	Chassis Male	N/A
P7-PM-C-BK	Crimp	Male	Chassis Male	N/A
P7-LM-S-EXT-BK	Solder	Male	Extended Backshell	11-21mm
P7-LM-C-EXT-BK	Crimp	Male	Extended Backshell	11-21mm

**n.b Standard Coupling Ring on the male connectors is BLUE, suffix -BK denotes BLACK**

## Male Contacts Female Contacts



Please contact Motion Labs in North America for Phase 3 Products

800-227-6784 / 914-788-8877 / motionlabs.com

# P3-19 Series Connectors

## For Entertainment Lighting

### Introduction

P3-19 series connectors have been developed to offer the highest levels of reliability and safety. The super robust construction ensures continual and reliable operation. The rugged fully machined aluminium design has been tailored specifically for professional touring applications and this has ensured that the P3-19 series is more than up to the challenge of life on the road. Even after being driven over, subjected to rough handling, these connectors provide continuous performance.

For ease of use, the connectors have six circuit identification on the front and rear of the insert. A recessed area in the back of the insert is provided to accept grounding rings. Seven forward contacts on the female for first mate last break grounding ensure safe mating and un-mating. An insulation sleeve within the connector backshell is standard.

### Product Features

- Socapex SL419 Compatible
- High Impact all machined shells
- Wear resistant anodised finish
- Easy grip heavy duty coupling ring (various colours)
- Thick wall section backshells (with locking screw)
- Integral insulation sleeves
- M40 metric cable glands (bush sizes 10-32mm)
- Inserts marked with lighting circuit wiring
- IP67 when mated
- FMLB Earth contacts
- Multipoint gold plated contacts (solder or crimp)
- ROHS Compliant



Please contact Motion Labs in North America for Phase 3 Products

800-227-6784 / 914-788-8877 / [motionlabs.com](http://motionlabs.com)

- UL Approved

## Technical Parameters

- Voltage Rating: 700VDC / 500VAC
- Current Rating: 41A max / 25A Rated
- Temperature Rating: -55°C to +125°C
- Contact Plating: Gold



**Spider Clamp-** The P3-19 pin Spider Clamp offers cable strain relief combined with watertight sealing when using 6 individual cables in breakout applications. The design incorporates our “Spider Trap” mechanical grip mechanism which individually grips each cable jacket. The trap can be quickly and easily orientated to facilitate different cable diameters. A separate silicone grommet ensures a watertight assembly.

**Grub Screw-** Backshells are supplied with left-hand threads, which when torqued correctly during assembly will remain secure. For added security the shells also include a grub screw which can be tightened to lock the shell.



**Thick-Walled Coupling Nuts-** For maximum impact and wear resistance, coupling rings have thick wall sections and are machined from high grade alloys with an anodised finish. The ergonomic grip allows for easy mating in all conditions, various colours are available on request.

Please contact Motion Labs in North America for Phase 3 Products

800-227-6784 / 914-788-8877 / [motionlabs.com](http://motionlabs.com)



**Insert Marking-** Inserts are marked with the industry standard 6 circuit wiring, identifying Earth, Neutral and Live pin positions.

**Contacts-** Contacts are screw machined copper alloy with a gold plated finish. The multipoint contact design ensures low contact resistance and optimal current carrying capacity. Suitable for wire sizes 12-14AWG (1.5-2.5mm<sup>2</sup>).



**Coupling Rings-** Coloured anodised coupling rings can be used to quickly identify cable lengths / types or to enhance and customize your connectors. Company logos and names can also be added to the connector bodies.

**High Impact Splitter Unit-** A tough rubber moulding fitted with an incoming male 19 pin plug and 2 female 19 pin sockets. The splitter units can be wired either in series or parallel connection.



## Portable 19 pin

**Cable Diagnostic Tool-** Performs essential tests for continuity, displays each individual circuit, portable or bench mounted, 48 hrs continuous use, use indoors or outdoors, no buttons or user programming.

Part Number	Contacts	Gender	Shell	Cable Range
P19-LF-S-M40SS	Solder	Female	Inline / 1.5 cable	10-16mm
P19-LF-S-M40A	Solder	Female	Inline / 2.5 cable	16-28mm
P19-LF-S-M40B	Solder	Female	Inline / Breakouts	22-32mm
P19-LF-S-SPR-10	Solder	Female	Spider Clamp for 1.5 cable	6 x max OD 10mm

Please contact Motion Labs in North America for Phase 3 Products

800-227-6784 / 914-788-8877 / [motionlabs.com](http://motionlabs.com)



P19-LF-S-SPR-12	Solder	Female	Spider Clamp for 2.5 cable	6 x max OD 12mm
P19-LM-S-M40SS	Solder	Male	Inline / 1.5 cable	10-16mm
P19-LM-S-M40A	Solder	Male	Inline / 2.5 cable	16-28mm
P19-LM-S-M40B	Solder	Male	Inline / Breakouts	22-32mm
P19-LM-S-SPR-10	Solder	Male	Spider Clamp for 1.5 cable	6 x max OD 10mm
P19-LM-S-SPR-12	Solder	Male	Spider Clamp for 2.5 cable	6 x max OD 12mm
P19-PF-S	Solder	Female	Chassis Female	N/A
P19-PM-S	Solder	Male	Chassis Male	N/A
P19-LF-C-M40SS	Crimp	Female	Inline / 1.5 cable	10-16mm
P19-LF-C-M40A	Crimp	Female	Inline / 2.5 cable	16-28mm
P19-LF-C-M40B	Crimp	Female	Inline / Breakouts	22-32mm
P19-LF-C-SPR-10	Crimp	Female	Spider Clamp for 1.5 cable	6 x max OD 10mm
P19-LF-C-SPR-12	Crimp	Female	Spider Clamp for 2.5 cable	6 x max OD 12mm
P19-LM-C-M40SS	Crimp	Male	Inline / 1.5 cable	10-16mm
P19-LM-C-M40A	Crimp	Male	Inline / 2.5 cable	16-28mm
P19-LM-C-M40B	Crimp	Male	Inline / Breakouts	22-32mm
P19-LM-C-SPR-10	Crimp	Male	Spider Clamp for 1.5 cable	6 x max OD 10mm
P19-LM-C-SPR-12	Crimp	Male	Spider Clamp for 2.5 cable	6 x max OD 12mm
P19-PF-C	Crimp	Female	Chassis Female	N/A
P19-PM-C	Crimp	Male	Chassis Male	N/A

**n.b. The part numbers for the male connectors above have “Blue Coupling Rings”, if you wish to have a different coloured coupling ring on the male connector, please state colour at the end of the part number ie P19-LM-S-M40A-BLACK = would have a black ring.**

Part Number	Description	Part Number	Description
T000013	AF8 Crimp Tool	T000033	Backshell Allen Key
T000037	AF8 Turret Assembly	PP00465	Chassis Mounting Gasket
T000034	Contact Insertion Tool	PP00577	Grounding Rings
T000035	Contact Removal Tool		



Please contact Motion Labs in North America for Phase 3 Products

800-227-6784 / 914-788-8877 / motionlabs.com