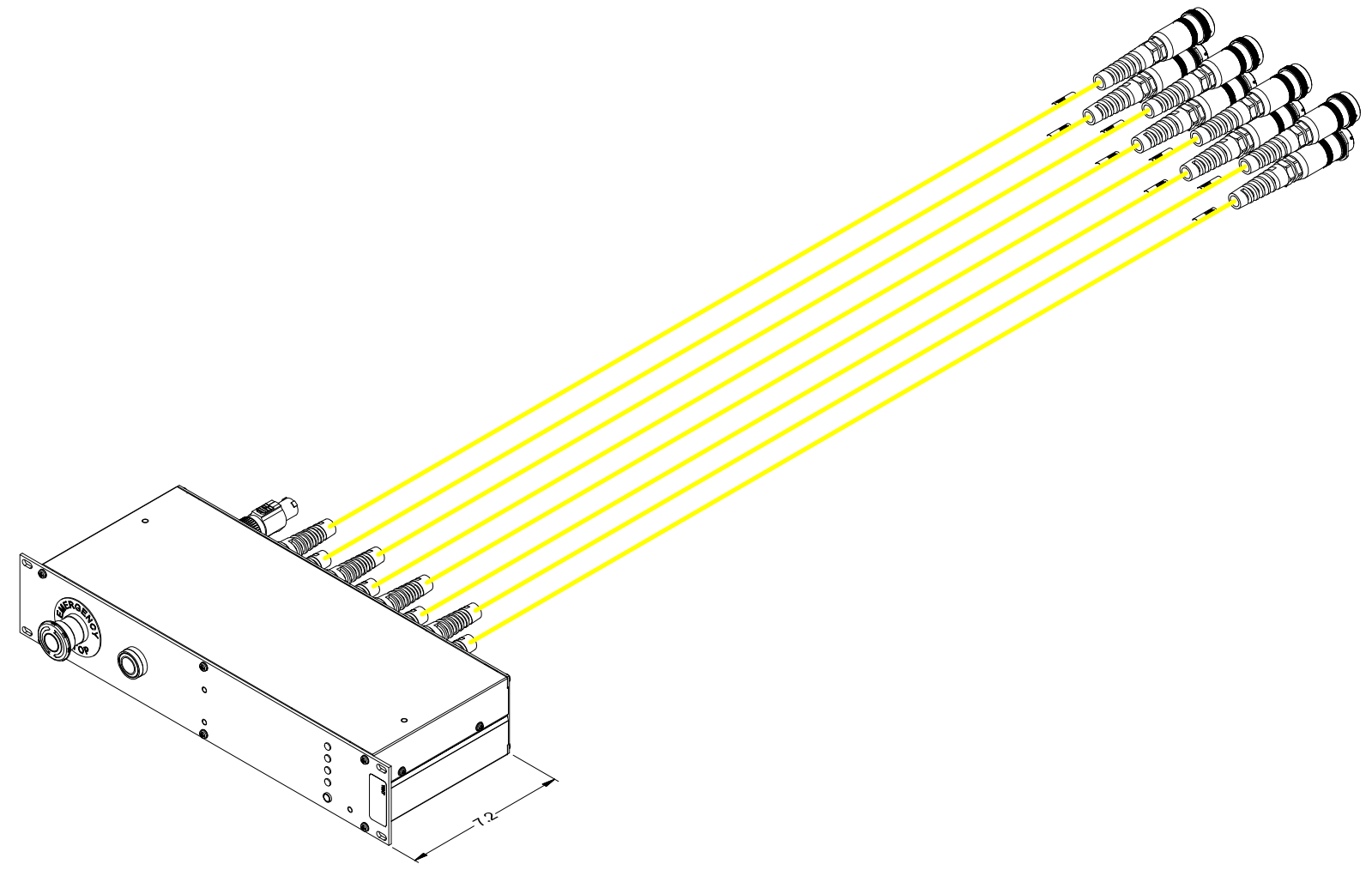


REVISION HISTORY		DATE	CHECKED
REV	DESCRIPTION		
A	ORIGINAL RELEASE. DC 2/10/16		



 <small>520 Furnace Dock Road Cortlandt Manor, NY 10567</small>	<b>TITLE</b> E-stop Rack Mount Module, Control Four, With Tails, No Link, w/ One Input Power Cable 1475-11-98-98-001	DRAWN BY DC	DATE DRAWN 10/29/2014	SIZE D	SALES DRAWING NUMBER A-16-004-0016	REV A
		CHECKED BY	DATE CHECKED	MODEL FILENAME & PATH N:\Blocks\Assemblies\A-16-004-0016.sdm	SCALE NTS	SHEET 1