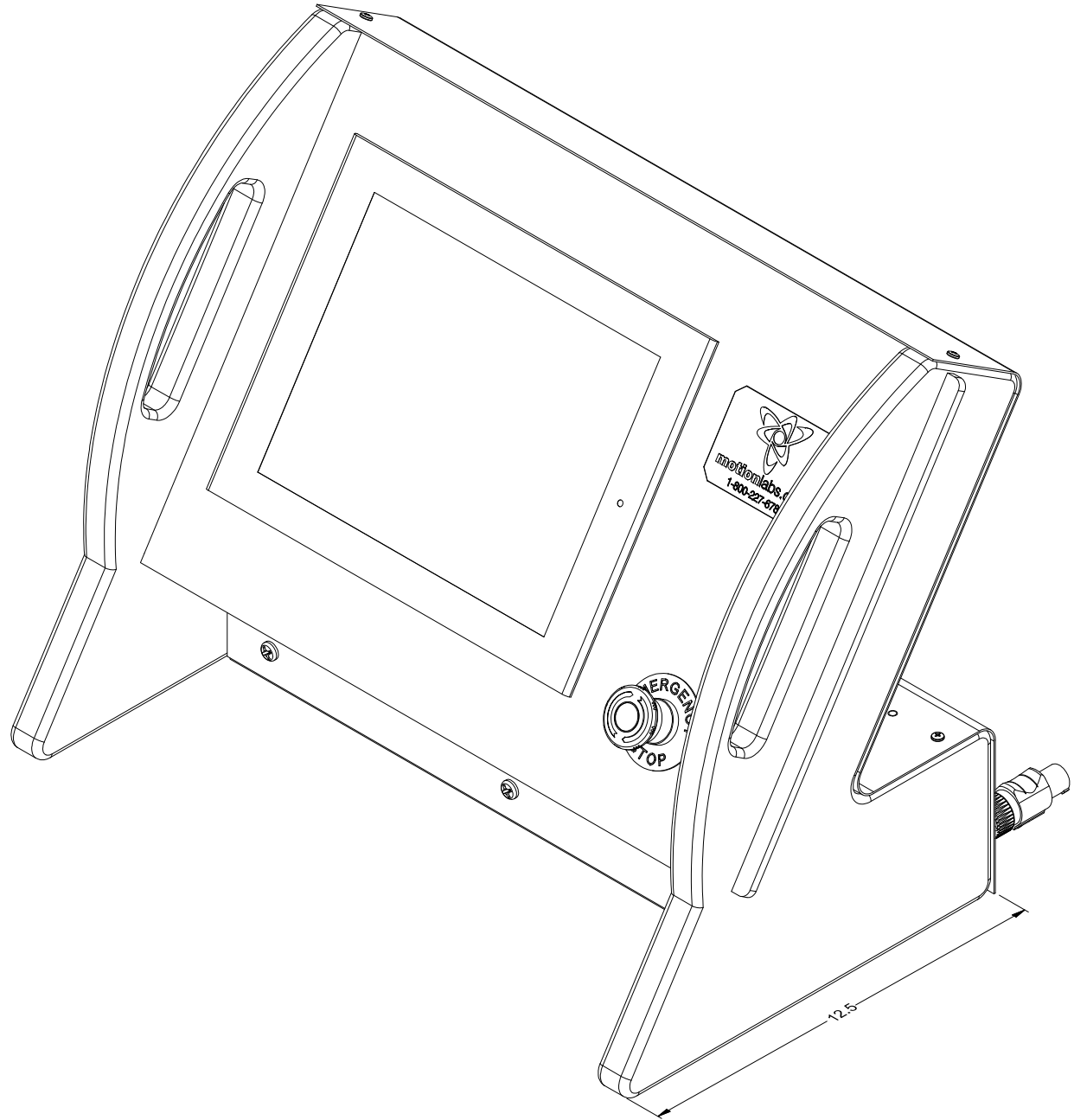
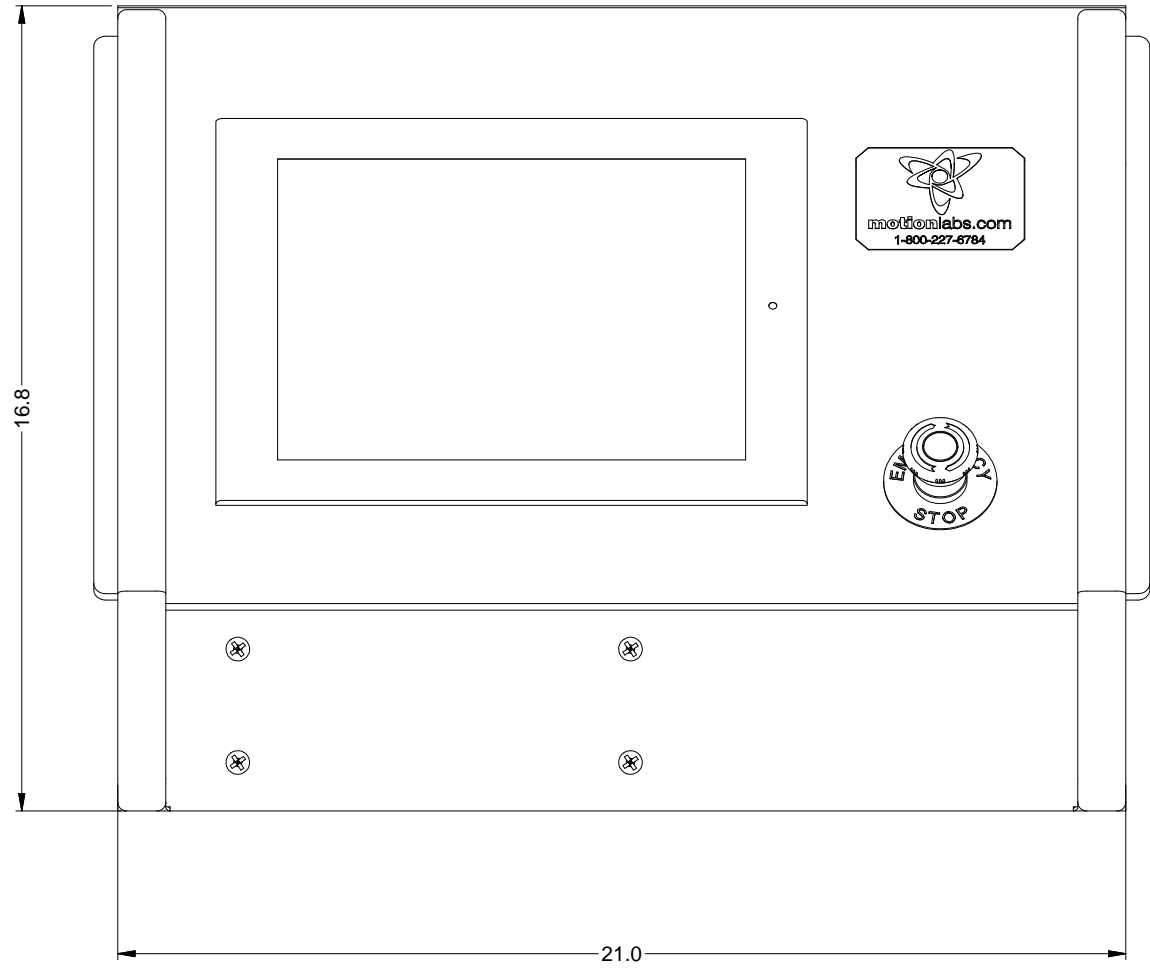


REVISION HISTORY			
REV	DESCRIPTION	DATE	CHECKED
A	RELEASED TO PRODUCTION, DC 7/27/15		



 <small>520 Furnace Dock Road Cortlandt Manor, NY 10567</small>	TITLE The Warden PLC Control System, Touch-Screen Operating System, HMI 12" with Enclosure	<small>DRAWN BY</small> DC	<small>DATE DRAWN</small> 10/16/2014	<small>SIZE</small> D	<small>SALES DRAWING NUMBER</small> A-17-005-0003	<small>REV</small> A
		<small>CHECKED BY</small> DC	<small>DATE CHECKED</small> 10/16/2014	<small>MODEL FILENAME & PATH</small> N:\Blocks\Assemblies\A-17-005-0003.lam	<small>SCALE</small> NTS	<small>SHEET</small> 1 OF 1

COPYRIGHT © 2014 Motion Laboratories, Inc. All Rights Reserved. THIS DOCUMENT IS THE EXCLUSIVE, PROPRIETARY PROPERTY OF MOTION LABORATORIES, INC. AND IS NOT TO BE REPRODUCED, COPIED, OR USED FOR ANY PURPOSE WHATSOEVER, UNLESS AND STRICTLY TO THE EXTENT SUCH IS EXPRESSLY AUTHORIZED BY MOTION LABORATORIES, INC. IN WRITING.