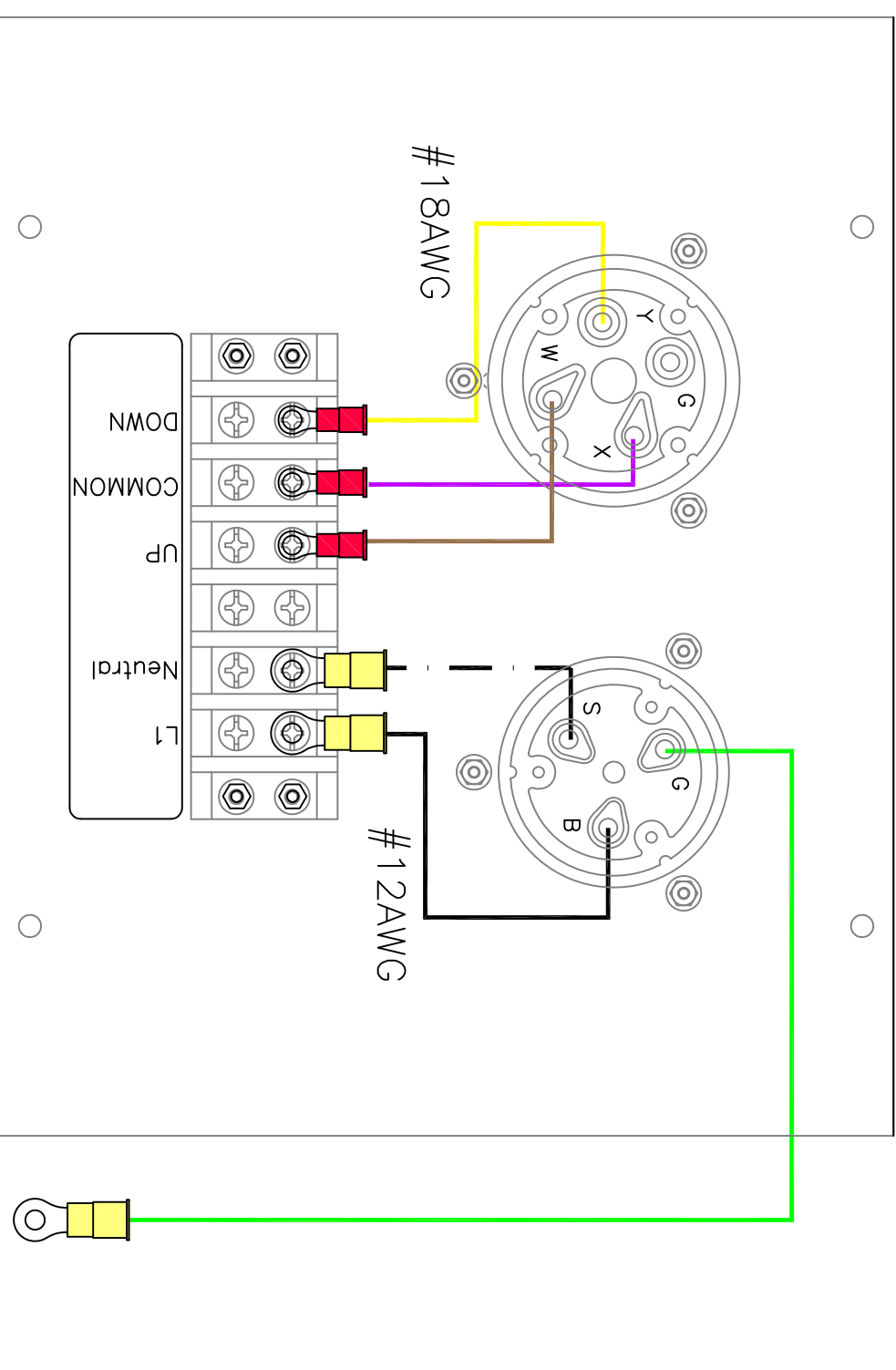
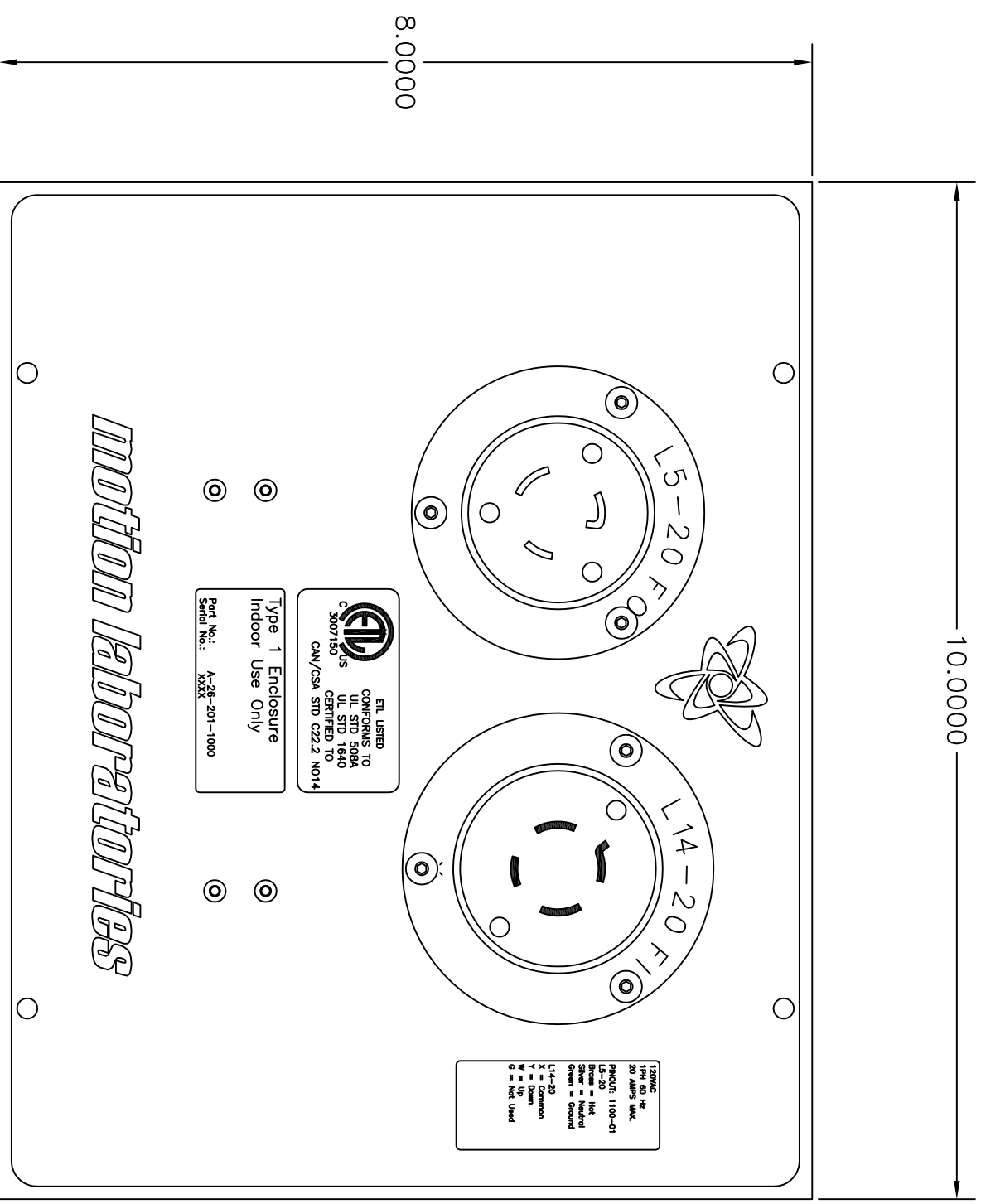


COPYRIGHT © 2006 MOTION LABORATORIES, INC. ALL RIGHTS RESERVED.
 THIS DOCUMENT IS THE EXCLUSIVE, CONFIDENTIAL PROPERTY OF MOTION LABORATORIES, INC. AND IT SHALL NOT BE REPRODUCED, COPIED, OR USED FOR ANY PURPOSE WHATSOEVER, UNLESS, AND STRICTLY TO THE EXTENT, SUCH IS EXPRESSLY AUTHORIZED BY MOTION LABORATORIES, INC. IN WRITING.

REV	DESCRIPTION	Date	APPROVED
C	Added ETL-CUS Certification Mark	05/25/2010	AEO



Motion Laboratories
 520 FURNACE DOCK ROAD
 CORTLANDT MANOR, NY 10567
 (914) 788-8877

TITLE:
 Install Flybox wired 1100-01
 Assembly Drawing

SIZE	Checked By:	DWG NO.	REV
B	PH	A-26-201-1000	C
Drawn By:	JC	Sheet	1 of 1