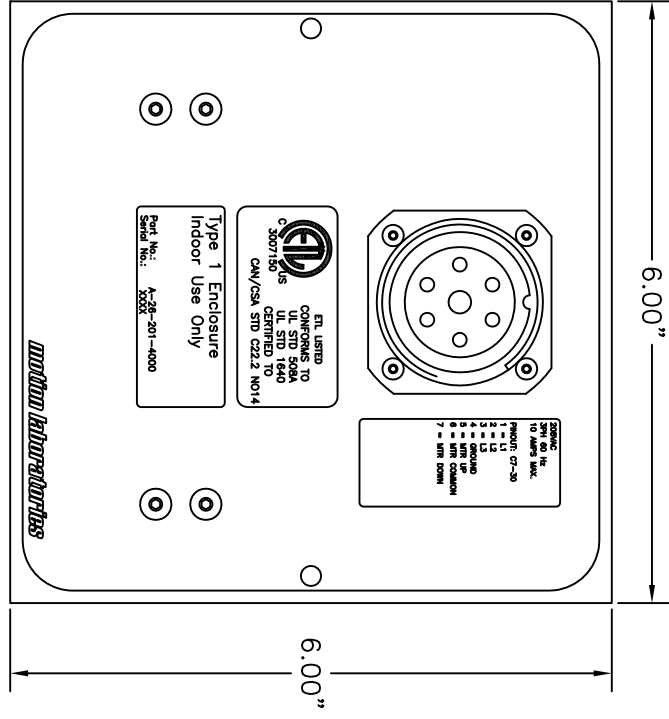
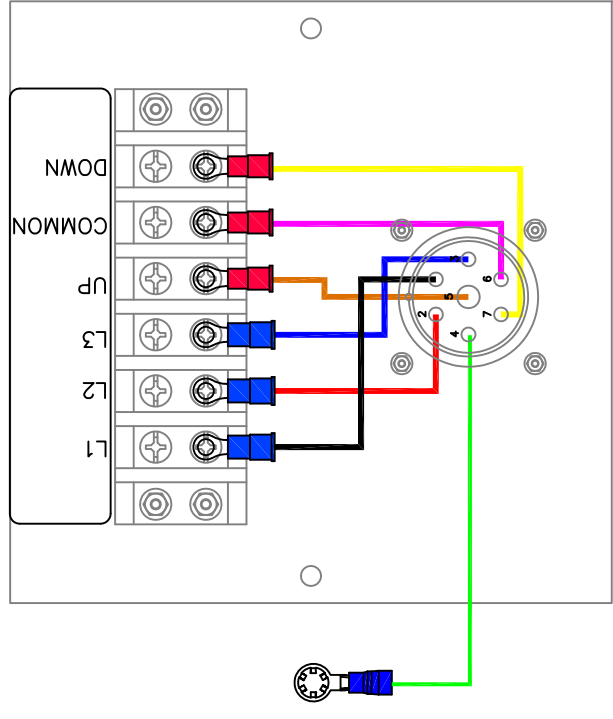


REV	DESCRIPTION	Date	APPROVED
C	Lasered on Labels	9/23/11	AEO

PANEL MATERIAL IS .090 ALUMINIUM  
 BRUSHED FINISH  
 BLACK ANODIZE WITH DIAMOND SCRATCHED  
 ENGRAVING.



PIN ID	PIN FUNCTION
1	L1 MOTOR POWER
2	L2 MOTOR POWER
3	L3 MOTOR POWER
4	GROUND
5	UP MOTOR CONTROL
6	COMMON MOTOR CONTROL
7	DOWN MOTOR CONTROL



*Motion Laboratories*  
 520 FURNACE DOCK ROAD  
 CORTLANDT MANOR, NY 10567 (914) 788-8877

TITLE:  
**C7-30 Flybox  
 Assembly Drawing**

SIZE	Checked By:	DWG NO.	REV
A	AEO	A-26-201-4000	C
Drawn By:	JK	Sheet	1 of 2